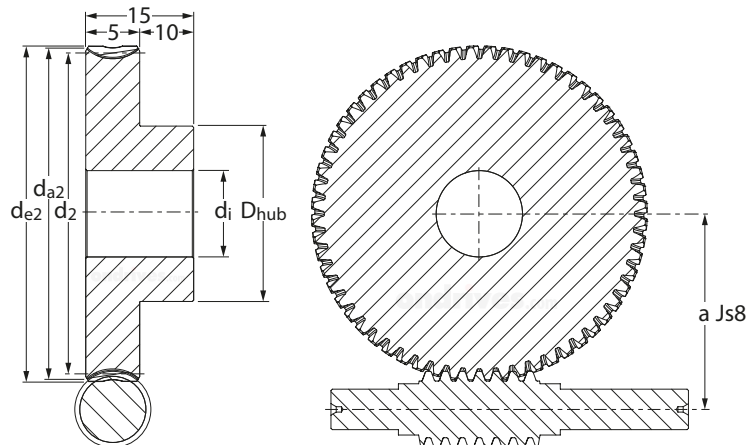


PWG-DL
0.5m_x

PRECISION GEARS

0.5 Module Delrin Wormwheel α 20° PA

Quality Grade Wormwheel 8e DIN 3974/58405



DIN 58405 Tooth Thickness tol.

Part Number				No. of Teeth z₂	Centre Distance a	Ref. Dia. d₂	Wheel Throat d_{a2}	Tip Dia. d_{e2}	Bore Dia. H7 d_j	Max. Bore Dia. H7 d_j	Hub Dia. D_{hub}
1 Start	2 Start	3 Start	4 Start								
PWG0.5-18-1DL	PWG0.5-18-2DL	PWG0.5-18-3DL	PWG0.5-18-4DL	18	9.50	9.0	10.0	10.5	3	3	7.5
PWG0.5-19-1DL	PWG0.5-19-2DL	PWG0.5-19-3DL	PWG0.5-19-4DL	19	9.75	9.5	10.5	11.0	4	4	8.0
PWG0.5-20-1DL	PWG0.5-20-2DL	PWG0.5-20-3DL	PWG0.5-20-4DL	20	10.00	10.0	11.0	11.5	4	4	8.0
PWG0.5-21-1DL	PWG0.5-21-2DL	PWG0.5-21-3DL	PWG0.5-21-4DL	21	10.25	10.5	11.5	12.0	4	4	8.0
PWG0.5-22-1DL	PWG0.5-22-2DL	PWG0.5-22-3DL	PWG0.5-22-4DL	22	10.50	11.0	12.0	12.5	4	4	8.0
PWG0.5-23-1DL	PWG0.5-23-2DL	PWG0.5-23-3DL	PWG0.5-23-4DL	23	10.75	11.5	12.5	13.0	4	4	8.0
PWG0.5-24-1DL	PWG0.5-24-2DL	PWG0.5-24-3DL	PWG0.5-24-4DL	24	11.00	12.0	13.0	13.5	5	5	10.0
PWG0.5-25-1DL	PWG0.5-25-2DL	PWG0.5-25-3DL	PWG0.5-25-4DL	25	11.25	12.5	13.5	14.0	5	5	10.0
PWG0.5-26-1DL	PWG0.5-26-2DL	PWG0.5-26-3DL	PWG0.5-26-4DL	26	11.50	13.0	14.0	14.5	5	5	10.0
PWG0.5-27-1DL	PWG0.5-27-2DL	PWG0.5-27-3DL	PWG0.5-27-4DL	27	11.75	13.5	14.5	15.0	5	5	10.0
PWG0.5-28-1DL	PWG0.5-28-2DL	PWG0.5-28-3DL	PWG0.5-28-4DL	28	12.00	14.0	15.0	15.5	5	5	10.0
PWG0.5-29-1DL	PWG0.5-29-2DL	PWG0.5-29-3DL	PWG0.5-29-4DL	29	12.25	14.5	15.5	16.0	6	6	12.5
PWG0.5-30-1DL	PWG0.5-30-2DL	PWG0.5-30-3DL	PWG0.5-30-4DL	30	12.50	15.0	16.0	16.5	6	6	12.5
PWG0.5-32-1DL	PWG0.5-32-2DL	PWG0.5-32-3DL	PWG0.5-32-4DL	32	13.00	16.0	17.0	17.5	6	6	12.5
PWG0.5-35-1DL	PWG0.5-35-2DL	PWG0.5-35-3DL	PWG0.5-35-4DL	35	13.75	17.5	18.5	19.0	6	6	12.5
PWG0.5-38-1DL	PWG0.5-38-2DL	PWG0.5-38-3DL	PWG0.5-38-4DL	38	14.50	19.0	20.0	20.5	6	8	15.0
PWG0.5-40-1DL	PWG0.5-40-2DL	PWG0.5-40-3DL	PWG0.5-40-4DL	40	15.00	20.0	21.0	21.5	6	8	15.0
PWG0.5-42-1DL	PWG0.5-42-2DL	PWG0.5-42-3DL	PWG0.5-42-4DL	42	15.50	21.0	22.0	22.5	6	8	15.0
PWG0.5-45-1DL	PWG0.5-45-2DL	PWG0.5-45-3DL	PWG0.5-45-4DL	45	16.25	22.5	23.5	24.0	6	8	15.0
PWG0.5-48-1DL	PWG0.5-48-2DL	PWG0.5-48-3DL	PWG0.5-48-4DL	48	17.00	24.0	25.0	25.5	6	8	15.0
PWG0.5-50-1DL	PWG0.5-50-2DL	PWG0.5-50-3DL	PWG0.5-50-4DL	50	17.50	25.0	26.0	26.5	6	8	15.0
PWG0.5-52-1DL	PWG0.5-52-2DL	PWG0.5-52-3DL	PWG0.5-52-4DL	52	18.00	26.0	27.0	27.5	6	8	15.0
PWG0.5-55-1DL	PWG0.5-55-2DL	PWG0.5-55-3DL	PWG0.5-55-4DL	55	18.75	27.5	28.5	29.0	6	8	15.0
PWG0.5-58-1DL	PWG0.5-58-2DL	PWG0.5-58-3DL	PWG0.5-58-4DL	58	19.50	29.0	30.0	30.5	8	10	20.0
PWG0.5-60-1DL	PWG0.5-60-2DL	PWG0.5-60-3DL	PWG0.5-60-4DL	60	20.00	30.0	31.0	31.5	8	10	20.0
PWG0.5-62-1DL	PWG0.5-62-2DL	PWG0.5-62-3DL	PWG0.5-62-4DL	62	20.50	31.0	32.0	32.5	8	10	20.0
PWG0.5-65-1DL	PWG0.5-65-2DL	PWG0.5-65-3DL	PWG0.5-65-4DL	65	21.25	32.5	33.5	34.0	8	10	20.0
PWG0.5-68-1DL	PWG0.5-68-2DL	PWG0.5-68-3DL	PWG0.5-68-4DL	68	22.00	34.0	35.0	35.5	8	10	20.0
PWG0.5-70-1DL	PWG0.5-70-2DL	PWG0.5-70-3DL	PWG0.5-70-4DL	70	22.50	35.0	36.0	36.5	8	10	20.0
PWG0.5-72-1DL	PWG0.5-72-2DL	PWG0.5-72-3DL	PWG0.5-72-4DL	72	23.00	36.0	37.0	37.5	8	10	20.0
PWG0.5-75-1DL	PWG0.5-75-2DL	PWG0.5-75-3DL	PWG0.5-75-4DL	75	23.75	37.5	38.5	39.0	8	10	20.0
PWG0.5-78-1DL	PWG0.5-78-2DL	PWG0.5-78-3DL	PWG0.5-78-4DL	78	24.50	39.0	40.0	40.5	8	16	30.0
PWG0.5-80-1DL	PWG0.5-80-2DL	PWG0.5-80-3DL	PWG0.5-80-4DL	80	25.00	40.0	41.0	41.5	8	16	30.0
PWG0.5-82-1DL	PWG0.5-82-2DL	PWG0.5-82-3DL	PWG0.5-82-4DL	82	25.50	41.0	42.0	42.5	10	16	30.0
PWG0.5-85-1DL	PWG0.5-85-2DL	PWG0.5-85-3DL	PWG0.5-85-4DL	85	26.25	42.5	43.5	44.0	10	16	30.0
PWG0.5-90-1DL	PWG0.5-90-2DL	PWG0.5-90-3DL	PWG0.5-90-4DL	90	27.50	45.0	46.0	46.5	10	16	30.0
PWG0.5-95-1DL	PWG0.5-95-2DL	PWG0.5-95-3DL	PWG0.5-95-4DL	95	28.75	47.5	48.5	49.0	10	16	30.0
PWG0.5-100-1DL	PWG0.5-100-2DL	PWG0.5-100-3DL	PWG0.5-100-4DL	100	30.00	50.0	51.0	51.5	12	20	35.0
PWG0.5-105-1DL	PWG0.5-105-2DL	PWG0.5-105-3DL	PWG0.5-105-4DL	105	31.25	52.5	53.5	54.0	12	20	35.0
PWG0.5-110-1DL	PWG0.5-110-2DL	PWG0.5-110-3DL	PWG0.5-110-4DL	110	32.50	55.0	56.0	56.5	12	20	35.0
PWG0.5-115-1DL	PWG0.5-115-2DL	PWG0.5-115-3DL	PWG0.5-115-4DL	115	33.75	57.5	58.5	59.0	12	20	35.0
PWG0.5-120-1DL	PWG0.5-120-2DL	PWG0.5-120-3DL	PWG0.5-120-4DL	120	35.00	60.0	61.0	61.5	12	20	35.0
PWG0.5-130-1DL	PWG0.5-130-2DL	PWG0.5-130-3DL	PWG0.5-130-4DL	130	37.50	65.0	66.0	66.5	12	25	45.0
PWG0.5-140-1DL	PWG0.5-140-2DL	PWG0.5-140-3DL	PWG0.5-140-4DL	140	40.00	70.0	71.0	71.5	12	25	45.0
PWG0.5-150-1DL	PWG0.5-150-2DL	PWG0.5-150-3DL	PWG0.5-150-4DL	150	42.50	75.0	76.0	76.5	12	25	45.0
PWG0.5-160-1DL	PWG0.5-160-2DL	PWG0.5-160-3DL	PWG0.5-160-4DL	160	45.00	80.0	81.0	81.5	14	30	55.0
PWG0.5-170-1DL	PWG0.5-170-2DL	PWG0.5-170-3DL	PWG0.5-170-4DL	170	47.50	85.0	86.0	86.5	14	30	55.0
PWG0.5-180-1DL	PWG0.5-180-2DL	PWG0.5-180-3DL	PWG0.5-180-4DL	180	50.00	90.0	91.0	91.5	14	30	55.0
PWG0.5-190-1DL	PWG0.5-190-2DL	PWG0.5-190-3DL	PWG0.5-190-4DL	190	52.50	95.0	96.0	96.5	14	30	55.0
PWG0.5-200-1DL	PWG0.5-200-2DL	PWG0.5-200-3DL	PWG0.5-200-4DL	200	55.00	100.0	101.0	101.5	16	35	60.0
PWG0.5-210-1DL	PWG0.5-210-2DL	PWG0.5-210-3DL	PWG0.5-210-4DL	210	57.50	105.0	106.0	106.5	16	35	60.0
PWG0.5-220-1DL	PWG0.5-220-2DL	PWG0.5-220-3DL	PWG0.5-220-4DL	220	60.00	110.0	111.0	111.5	16	35	60.0
PWG0.5-230-1DL	PWG0.5-230-2DL	PWG0.5-230-3DL	PWG0.5-230-4DL	230	62.50	115.0	116.0	116.5	16	40	65.0
PWG0.5-240-1DL	PWG0.5-240-2DL	PWG0.5-240-3DL	PWG0.5-240-4DL	240	65.00	120.0	121.0	121.5	16	40	65.0
PWG0.5-250-1DL	PWG0.5-250-2DL	PWG0.5-250-3DL	PWG0.5-250-4DL	250	67.50	125.0	126.0	126.5	16	40	65.0

PWG-DL 0.5m_x

PRECISION GEARS

0.5 Module Delrin Wormwheel α 20° PA

Quality Grade Wormwheel 8e DIN 3974/58405

Standard Part **PWG 0.5 50 1**

Modified Part **PWG 0.5 50 3 DL 8 K T**

PWG - Precision Worm Gear
Quality Grade 8e DIN 3974/58405
Other Quality Grades available.
See Technical

m_x Module - Cut with DIN 867 1.25/0.20/1.0
Ref. Tooth Profile Topping WD = 2.25 x m_x

Number of Teeth **z**

Number of Starts on Worm
Ratio = $\frac{z_2}{z_1}$ No. of teeth on wheel
 $\frac{z_1}{z_2}$ No. of starts on worm

T = 1 x Tapped hole **2T** = 2 x Tapped holes
P = 1 x Pin Hole **PT** = 1 x Pin Hole through
All threads metric as standard.
See Technical

K - Keyway supplied to
DIN 6885 - Js9 tolerance.
See Technical

To specify different bore enter size required
Example: 8 = 8mm H7 etc
See Technical

Material: Delrin POM (white)

Material: Delrin POM (white). RH lead angle.

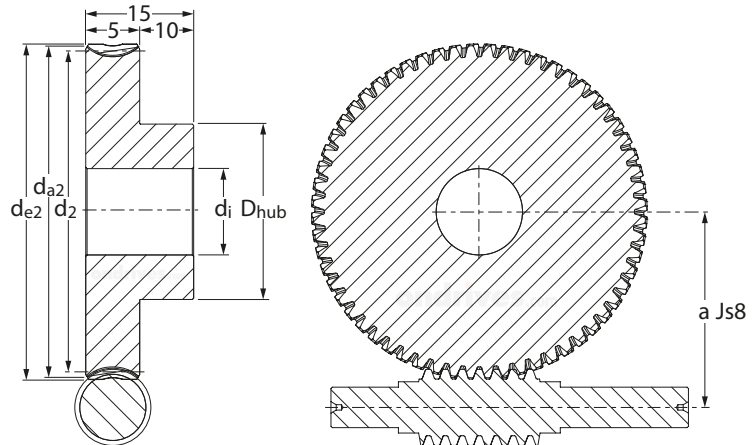
Part Number	B backlash (mm)	Torque T ₂ Nm	Part Number	B backlash (mm)	Torque T ₂ Nm	Part Number	B backlash (mm)	Torque T ₂ Nm	Part Number	B backlash (mm)	Torque T ₂ Nm
1 Start	<i>j_{t,e}(max) j_{t,i}(min)</i>	<i>n₂ 100 Rpm</i>	2 Start	<i>j_{t,e}(max) j_{t,i}(min)</i>	<i>n₂ 100 Rpm</i>	3 Start	<i>j_{t,e}(max) j_{t,i}(min)</i>	<i>n₂ 100 Rpm</i>	4 Start	<i>j_{t,e}(max) j_{t,i}(min)</i>	<i>n₂ 100 Rpm</i>
PWG0.5-18-1DL	0.082 - 0.036	0.23	PWG0.5-18-2DL	0.082 - 0.036	0.22	PWG0.5-18-3DL	0.082 - 0.036	0.22	PWG0.5-18-4DL	0.083 - 0.036	0.23
PWG0.5-19-1DL	0.082 - 0.036	0.26	PWG0.5-19-2DL	0.082 - 0.036	0.25	PWG0.5-19-3DL	0.082 - 0.036	0.25	PWG0.5-19-4DL	0.083 - 0.036	0.25
PWG0.5-20-1DL	0.083 - 0.034	0.26	PWG0.5-20-2DL	0.084 - 0.034	0.27	PWG0.5-20-3DL	0.084 - 0.034	0.27	PWG0.5-20-4DL	0.085 - 0.034	0.28
PWG0.5-21-1DL	0.083 - 0.034	0.29	PWG0.5-21-2DL	0.084 - 0.034	0.30	PWG0.5-21-3DL	0.084 - 0.034	0.30	PWG0.5-21-4DL	0.085 - 0.034	0.31
PWG0.5-22-1DL	0.083 - 0.034	0.32	PWG0.5-22-2DL	0.084 - 0.034	0.33	PWG0.5-22-3DL	0.084 - 0.034	0.33	PWG0.5-22-4DL	0.085 - 0.034	0.34
PWG0.5-23-1DL	0.083 - 0.034	0.35	PWG0.5-23-2DL	0.084 - 0.034	0.36	PWG0.5-23-3DL	0.084 - 0.034	0.36	PWG0.5-23-4DL	0.085 - 0.034	0.37
PWG0.5-24-1DL	0.083 - 0.034	0.38	PWG0.5-24-2DL	0.084 - 0.034	0.39	PWG0.5-24-3DL	0.084 - 0.034	0.39	PWG0.5-24-4DL	0.085 - 0.034	0.40
PWG0.5-25-1DL	0.089 - 0.037	0.41	PWG0.5-25-2DL	0.089 - 0.037	0.42	PWG0.5-25-3DL	0.090 - 0.037	0.42	PWG0.5-25-4DL	0.090 - 0.038	0.43
PWG0.5-26-1DL	0.089 - 0.037	0.44	PWG0.5-26-2DL	0.089 - 0.037	0.45	PWG0.5-26-3DL	0.090 - 0.037	0.45	PWG0.5-26-4DL	0.090 - 0.038	0.47
PWG0.5-27-1DL	0.089 - 0.037	0.48	PWG0.5-27-2DL	0.089 - 0.037	0.49	PWG0.5-27-3DL	0.090 - 0.037	0.49	PWG0.5-27-4DL	0.090 - 0.038	0.50
PWG0.5-28-1DL	0.089 - 0.037	0.51	PWG0.5-28-2DL	0.089 - 0.037	0.52	PWG0.5-28-3DL	0.090 - 0.037	0.53	PWG0.5-28-4DL	0.090 - 0.038	0.54
PWG0.5-29-1DL	0.089 - 0.037	0.55	PWG0.5-29-2DL	0.089 - 0.037	0.56	PWG0.5-29-3DL	0.090 - 0.037	0.56	PWG0.5-29-4DL	0.090 - 0.038	0.58
PWG0.5-30-1DL	0.089 - 0.037	0.59	PWG0.5-30-2DL	0.089 - 0.037	0.60	PWG0.5-30-3DL	0.090 - 0.037	0.60	PWG0.5-30-4DL	0.090 - 0.038	0.62
PWG0.5-32-1DL	0.089 - 0.037	0.67	PWG0.5-32-2DL	0.089 - 0.037	0.68	PWG0.5-32-3DL	0.090 - 0.037	0.68	PWG0.5-32-4DL	0.090 - 0.038	0.70
PWG0.5-35-1DL	0.089 - 0.037	0.79	PWG0.5-35-2DL	0.089 - 0.037	0.80	PWG0.5-35-3DL	0.090 - 0.037	0.81	PWG0.5-35-4DL	0.090 - 0.038	0.83
PWG0.5-38-1DL	0.089 - 0.037	0.93	PWG0.5-38-2DL	0.089 - 0.037	0.94	PWG0.5-38-3DL	0.090 - 0.037	0.95	PWG0.5-38-4DL	0.090 - 0.038	0.98
PWG0.5-40-1DL	0.089 - 0.037	1.02	PWG0.5-40-2DL	0.089 - 0.037	0.96	PWG0.5-40-3DL	0.090 - 0.037	1.05	PWG0.5-40-4DL	0.090 - 0.038	1.08
PWG0.5-42-1DL	0.089 - 0.037	1.12	PWG0.5-42-2DL	0.089 - 0.037	1.06	PWG0.5-42-3DL	0.090 - 0.037	1.15	PWG0.5-42-4DL	0.090 - 0.038	1.19
PWG0.5-45-1DL	0.089 - 0.037	1.28	PWG0.5-45-2DL	0.089 - 0.037	1.21	PWG0.5-45-3DL	0.090 - 0.037	1.31	PWG0.5-45-4DL	0.090 - 0.038	1.36
PWG0.5-48-1DL	0.089 - 0.037	1.44	PWG0.5-48-2DL	0.089 - 0.037	1.38	PWG0.5-48-3DL	0.090 - 0.037	1.49	PWG0.5-48-4DL	0.090 - 0.038	1.54
PWG0.5-50-1DL	0.089 - 0.037	1.55	PWG0.5-50-2DL	0.089 - 0.037	1.50	PWG0.5-50-3DL	0.090 - 0.037	1.61	PWG0.5-50-4DL	0.090 - 0.038	1.66
PWG0.5-52-1DL	0.096 - 0.042	1.66	PWG0.5-52-2DL	0.097 - 0.042	1.62	PWG0.5-52-3DL	0.097 - 0.043	1.74	PWG0.5-52-4DL	0.098 - 0.043	1.80
PWG0.5-55-1DL	0.098 - 0.040	1.83	PWG0.5-55-2DL	0.099 - 0.040	1.80	PWG0.5-55-3DL	0.099 - 0.041	1.93	PWG0.5-55-4DL	0.100 - 0.041	2.00
PWG0.5-58-1DL	0.098 - 0.040	2.02	PWG0.5-58-2DL	0.099 - 0.040	2.00	PWG0.5-58-3DL	0.099 - 0.041	2.14	PWG0.5-58-4DL	0.100 - 0.041	2.22
PWG0.5-60-1DL	0.098 - 0.040	2.15	PWG0.5-60-2DL	0.099 - 0.040	2.14	PWG0.5-60-3DL	0.099 - 0.041	2.12	PWG0.5-60-4DL	0.100 - 0.041	2.37
PWG0.5-62-1DL	0.098 - 0.040	2.28	PWG0.5-62-2DL	0.099 - 0.040	2.28	PWG0.5-62-3DL	0.099 - 0.041	2.26	PWG0.5-62-4DL	0.100 - 0.041	2.51
PWG0.5-65-1DL	0.098 - 0.040	2.48	PWG0.5-65-2DL	0.099 - 0.040	2.49	PWG0.5-65-3DL	0.099 - 0.041	2.48	PWG0.5-65-4DL	0.100 - 0.041	2.63
PWG0.5-68-1DL	0.098 - 0.040	2.69	PWG0.5-68-2DL	0.099 - 0.040	2.72	PWG0.5-68-3DL	0.099 - 0.041	2.72	PWG0.5-68-4DL	0.100 - 0.041	2.75
PWG0.5-70-1DL	0.098 - 0.040	2.83	PWG0.5-70-2DL	0.099 - 0.040	2.85	PWG0.5-70-3DL	0.099 - 0.041	2.84	PWG0.5-70-4DL	0.100 - 0.041	2.83
PWG0.5-72-1DL	0.098 - 0.040	2.98	PWG0.5-72-2DL	0.099 - 0.040	2.93	PWG0.5-72-3DL	0.099 - 0.041	2.92	PWG0.5-72-4DL	0.100 - 0.041	2.91
PWG0.5-75-1DL	0.098 - 0.040	3.17	PWG0.5-75-2DL	0.099 - 0.040	3.05	PWG0.5-75-3DL	0.099 - 0.041	3.05	PWG0.5-75-4DL	0.100 - 0.041	3.03
PWG0.5-78-1DL	0.098 - 0.040	3.31	PWG0.5-78-2DL	0.099 - 0.040	3.18	PWG0.5-78-3DL	0.099 - 0.041	3.17	PWG0.5-78-4DL	0.100 - 0.041	3.16
PWG0.5-80-1DL	0.098 - 0.040	3.40	PWG0.5-80-2DL	0.099 - 0.040	3.26	PWG0.5-80-3DL	0.099 - 0.041	3.25	PWG0.5-80-4DL	0.100 - 0.041	3.24
PWG0.5-82-1DL	0.098 - 0.040	3.50	PWG0.5-82-2DL	0.099 - 0.040	3.34	PWG0.5-82-3DL	0.099 - 0.041	3.33	PWG0.5-82-4DL	0.100 - 0.041	3.32
PWG0.5-85-1DL	0.098 - 0.040	3.64	PWG0.5-85-2DL	0.099 - 0.040	3.46	PWG0.5-85-3DL	0.099 - 0.041	3.45	PWG0.5-85-4DL	0.100 - 0.041	3.44
PWG0.5-90-1DL	0.098 - 0.040	3.87	PWG0.5-90-2DL	0.099 - 0.040	3.67	PWG0.5-90-3DL	0.099 - 0.041	3.66	PWG0.5-90-4DL	0.100 - 0.041	3.64
PWG0.5-95-1DL	0.098 - 0.040	4.11	PWG0.5-95-2DL	0.099 - 0.040	3.87	PWG0.5-95-3DL	0.099 - 0.041	3.86	PWG0.5-95-4DL	0.100 - 0.041	3.84
PWG0.5-100-1DL	0.098 - 0.040	4.34	PWG0.5-100-2DL	0.099 - 0.040	4.07	PWG0.5-100-3DL	0.099 - 0.041	4.06	PWG0.5-100-4DL	0.100 - 0.041	4.05
PWG0.5-105-1DL	0.108 - 0.041	4.58	PWG0.5-105-2DL	0.108 - 0.041	4.30	PWG0.5-105-3DL	0.109 - 0.042	4.26	PWG0.5-105-4DL	0.110 - 0.042	4.25
PWG0.5-110-1DL	0.108 - 0.041	4.82	PWG0.5-110-2DL	0.108 - 0.041	4.52	PWG0.5-110-3DL	0.109 - 0.042	4.47	PWG0.5-110-4DL	0.110 - 0.042	4.45
PWG0.5-115-1DL	0.108 - 0.041	5.06	PWG0.5-115-2DL	0.108 - 0.041	4.74	PWG0.5-115-3DL	0.109 - 0.042	4.67	PWG0.5-115-4DL	0.110 - 0.042	4.65
PWG0.5-120-1DL	0.108 - 0.041	5.30	PWG0.5-120-2DL	0.108 - 0.041	4.97	PWG0.5-120-3DL	0.109 - 0.042	4.87	PWG0.5-120-4DL	0.110 - 0.042	4.86
PWG0.5-130-1DL	0.108 - 0.041	5.78	PWG0.5-130-2DL	0.108 - 0.041	5.42	PWG0.5-130-3DL	0.109 - 0.042	5.28	PWG0.5-130-4DL	0.110 - 0.042	5.26
PWG0.5-140-1DL	0.108 - 0.041	6.27	PWG0.5-140-2DL	0.108 - 0.041	5.88	PWG0.5-140-3DL	0.109 - 0.042	5.69	PWG0.5-140-4DL	0.110 - 0.042	5.67
PWG0.5-150-1DL	0.108 - 0.041	6.76	PWG0.5-150-2DL	0.108 - 0.041	6.34	PWG0.5-150-3DL	0.109 - 0.042	6.09	PWG0.5-150-4DL	0.110 - 0.042	6.07
PWG0.5-160-1DL	0.108 - 0.041	7.25	PWG0.5-160-2DL	0.108 - 0.041	6.80	PWG0.5-160-3DL	0.109 - 0.042	6.54	PWG0.5-160-4DL	0.110 - 0.042	6.47
PWG0.5-170-1DL	0.108 - 0.041	7.74	PWG0.5-170-2DL	0.108 - 0.041	7.26	PWG0.5-170-3DL	0.109 - 0.042	6.98	PWG0.5-170-4DL	0.110 - 0.042	6.88
PWG0.5-180-1DL	0.108 - 0.041	8.24	PWG0.5-180-2DL	0.108 - 0.041	7.73	PWG0.5-180-3DL	0.109 - 0.042	7.43	PWG0.5-180-4DL	0.110 - 0.042	7.28
PWG0.5-190-1DL	0.110 - 0.039	8.74	PWG0.5-190-2DL	0.111 - 0.039	8.20	PWG0.5-190-3DL	0.112 - 0.039	7.88	PWG0.5-190-4DL	0.113 - 0.039	7.69
PWG0.5-200-1DL	0.110 - 0.039	9.24	PWG0.5-200-2DL	0.111 - 0.039	8.67	PWG0.5-200-3DL	0.112 - 0.039	8.34	PWG0.5-200-4DL	0.113 - 0.039	8.09
PWG0.5-210-1DL	0.120 - 0.045	9.75	PWG0.5-210-2DL	0.121 - 0.045	9.14	PWG0.5-210-3DL	0.121 - 0.045	8.79	PWG0.5-210-4DL	0.122 - 0.046	8.54
PWG0.5-220-1DL	0.120 - 0.045	10.26	PWG0.5-220-2DL	0.121 - 0.045	9.62	PWG0.5-220-3DL	0.121 - 0.045	9.25	PWG0.5-220-4DL	0.122 - 0.046	8.98
PWG0.5-230-1DL	0.120 - 0.045	10.76	PWG0.5-230-2DL	0.121 - 0.045	10.10	PWG0.5-230-3DL	0.121 - 0.045	9.71	PWG0.5-230-4DL	0.122 - 0.046	9.42
PWG0.5-240-1DL	0.120 - 0.045	11.28	PWG0.5-240-2DL	0.121 - 0.045	10.58	PWG0.5-240-3DL	0.121 - 0.045	10.17	PWG0.5-240-4DL	0.122 - 0.046	9.87
PWG0.5-250-1DL	0.120 - 0.045	11.79	PWG0.5-250-2DL	0.121 - 0.045	11.06	PWG0.5-250-3DL	0.121 - 0.045	10.63	PWG0.5-250-4DL	0.122 - 0.046	10.32

PWG-PK
0.5m_x

PRECISION GEARS

0.5 Module PEEK® Wormwheel α 20° PA

Quality Grade Wormwheel 8e DIN 3974/58405



DIN 58405 Tooth Thickness tol.

Part Number				No. of Teeth	Centre Distance	Ref. Dia.	Wheel Throat	Tip Dia.	Bore Dia. H7	Max. Bore Dia. H7	Hub Dia.
1 Start	2 Start	3 Start	4 Start	z ₂	a	d ₂	d _{a2}	d _{e2}	d _i	d _i	D _{hub}
PWG0.5-18-1PK	PWG0.5-18-2PK	PWG0.5-18-3PK	PWG0.5-18-4PK	18	9.50	9.0	10.0	10.5	3	3	7.5
PWG0.5-19-1PK	PWG0.5-19-2PK	PWG0.5-19-3PK	PWG0.5-19-4PK	19	9.75	9.5	10.5	11.0	4	4	8.0
PWG0.5-20-1PK	PWG0.5-20-2PK	PWG0.5-20-3PK	PWG0.5-20-4PK	20	10.00	10.0	11.0	11.5	4	4	8.0
PWG0.5-21-1PK	PWG0.5-21-2PK	PWG0.5-21-3PK	PWG0.5-21-4PK	21	10.25	10.5	11.5	12.0	4	4	8.0
PWG0.5-22-1PK	PWG0.5-22-2PK	PWG0.5-22-3PK	PWG0.5-22-4PK	22	10.50	11.0	12.0	12.5	4	4	8.0
PWG0.5-23-1PK	PWG0.5-23-2PK	PWG0.5-23-3PK	PWG0.5-23-4PK	23	10.75	11.5	12.5	13.0	4	4	8.0
PWG0.5-24-1PK	PWG0.5-24-2PK	PWG0.5-24-3PK	PWG0.5-24-4PK	24	11.00	12.0	13.0	13.5	5	5	10.0
PWG0.5-25-1PK	PWG0.5-25-2PK	PWG0.5-25-3PK	PWG0.5-25-4PK	25	11.25	12.5	13.5	14.0	5	5	10.0
PWG0.5-26-1PK	PWG0.5-26-2PK	PWG0.5-26-3PK	PWG0.5-26-4PK	26	11.50	13.0	14.0	14.5	5	5	10.0
PWG0.5-27-1PK	PWG0.5-27-2PK	PWG0.5-27-3PK	PWG0.5-27-4PK	27	11.75	13.5	14.5	15.0	5	5	10.0
PWG0.5-28-1PK	PWG0.5-28-2PK	PWG0.5-28-3PK	PWG0.5-28-4PK	28	12.00	14.0	15.0	15.5	5	5	10.0
PWG0.5-29-1PK	PWG0.5-29-2PK	PWG0.5-29-3PK	PWG0.5-29-4PK	29	12.25	14.5	15.5	16.0	6	6	12.5
PWG0.5-30-1PK	PWG0.5-30-2PK	PWG0.5-30-3PK	PWG0.5-30-4PK	30	12.50	15.0	16.0	16.5	6	6	12.5
PWG0.5-32-1PK	PWG0.5-32-2PK	PWG0.5-32-3PK	PWG0.5-32-4PK	32	13.00	16.0	17.0	17.5	6	6	12.5
PWG0.5-35-1PK	PWG0.5-35-2PK	PWG0.5-35-3PK	PWG0.5-35-4PK	35	13.75	17.5	18.5	19.0	6	6	12.5
PWG0.5-38-1PK	PWG0.5-38-2PK	PWG0.5-38-3PK	PWG0.5-38-4PK	38	14.50	19.0	20.0	20.5	6	8	15.0
PWG0.5-40-1PK	PWG0.5-40-2PK	PWG0.5-40-3PK	PWG0.5-40-4PK	40	15.00	20.0	21.0	21.5	6	8	15.0
PWG0.5-42-1PK	PWG0.5-42-2PK	PWG0.5-42-3PK	PWG0.5-42-4PK	42	15.50	21.0	22.0	22.5	6	8	15.0
PWG0.5-45-1PK	PWG0.5-45-2PK	PWG0.5-45-3PK	PWG0.5-45-4PK	45	16.25	22.5	23.5	24.0	6	8	15.0
PWG0.5-48-1PK	PWG0.5-48-2PK	PWG0.5-48-3PK	PWG0.5-48-4PK	48	17.00	24.0	25.0	25.5	6	8	15.0
PWG0.5-50-1PK	PWG0.5-50-2PK	PWG0.5-50-3PK	PWG0.5-50-4PK	50	17.50	25.0	26.0	26.5	6	8	15.0
PWG0.5-52-1PK	PWG0.5-52-2PK	PWG0.5-52-3PK	PWG0.5-52-4PK	52	18.00	26.0	27.0	27.5	6	8	15.0
PWG0.5-55-1PK	PWG0.5-55-2PK	PWG0.5-55-3PK	PWG0.5-55-4PK	55	18.75	27.5	28.5	29.0	6	8	15.0
PWG0.5-58-1PK	PWG0.5-58-2PK	PWG0.5-58-3PK	PWG0.5-58-4PK	58	19.50	29.0	30.0	30.5	8	10	20.0
PWG0.5-60-1PK	PWG0.5-60-2PK	PWG0.5-60-3PK	PWG0.5-60-4PK	60	20.00	30.0	31.0	31.5	8	10	20.0
PWG0.5-62-1PK	PWG0.5-62-2PK	PWG0.5-62-3PK	PWG0.5-62-4PK	62	20.50	31.0	32.0	32.5	8	10	20.0
PWG0.5-65-1PK	PWG0.5-65-2PK	PWG0.5-65-3PK	PWG0.5-65-4PK	65	21.25	32.5	33.5	34.0	8	10	20.0
PWG0.5-68-1PK	PWG0.5-68-2PK	PWG0.5-68-3PK	PWG0.5-68-4PK	68	22.00	34.0	35.0	35.5	8	10	20.0
PWG0.5-70-1PK	PWG0.5-70-2PK	PWG0.5-70-3PK	PWG0.5-70-4PK	70	22.50	35.0	36.0	36.5	8	10	20.0
PWG0.5-72-1PK	PWG0.5-72-2PK	PWG0.5-72-3PK	PWG0.5-72-4PK	72	23.00	36.0	37.0	37.5	8	10	20.0
PWG0.5-75-1PK	PWG0.5-75-2PK	PWG0.5-75-3PK	PWG0.5-75-4PK	75	23.75	37.5	38.5	39.0	8	10	20.0
PWG0.5-78-1PK	PWG0.5-78-2PK	PWG0.5-78-3PK	PWG0.5-78-4PK	78	24.50	39.0	40.0	40.5	8	16	30.0
PWG0.5-80-1PK	PWG0.5-80-2PK	PWG0.5-80-3PK	PWG0.5-80-4PK	80	25.00	40.0	41.0	41.5	8	16	30.0
PWG0.5-82-1PK	PWG0.5-82-2PK	PWG0.5-82-3PK	PWG0.5-82-4PK	82	25.50	41.0	42.0	42.5	10	16	30.0
PWG0.5-85-1PK	PWG0.5-85-2PK	PWG0.5-85-3PK	PWG0.5-85-4PK	85	26.25	42.5	43.5	44.0	10	16	30.0
PWG0.5-90-1PK	PWG0.5-90-2PK	PWG0.5-90-3PK	PWG0.5-90-4PK	90	27.50	45.0	46.0	46.5	10	16	30.0
PWG0.5-95-1PK	PWG0.5-95-2PK	PWG0.5-95-3PK	PWG0.5-95-4PK	95	28.75	47.5	48.5	49.0	10	16	30.0
PWG0.5-100-1PK	PWG0.5-100-2PK	PWG0.5-100-3PK	PWG0.5-100-4PK	100	30.00	50.0	51.0	51.5	12	20	35.0
PWG0.5-105-1PK	PWG0.5-105-2PK	PWG0.5-105-3PK	PWG0.5-105-4PK	105	31.25	52.5	53.5	54.0	12	20	35.0
PWG0.5-110-1PK	PWG0.5-110-2PK	PWG0.5-110-3PK	PWG0.5-110-4PK	110	32.50	55.0	56.0	56.5	12	20	35.0
PWG0.5-115-1PK	PWG0.5-115-2PK	PWG0.5-115-3PK	PWG0.5-115-4PK	115	33.75	57.5	58.5	59.0	12	20	35.0
PWG0.5-120-1PK	PWG0.5-120-2PK	PWG0.5-120-3PK	PWG0.5-120-4PK	120	35.00	60.0	61.0	61.5	12	20	35.0
PWG0.5-130-1PK	PWG0.5-130-2PK	PWG0.5-130-3PK	PWG0.5-130-4PK	130	37.50	65.0	66.0	66.5	12	25	45.0
PWG0.5-140-1PK	PWG0.5-140-2PK	PWG0.5-140-3PK	PWG0.5-140-4PK	140	40.00	70.0	71.0	71.5	12	25	45.0
PWG0.5-150-1PK	PWG0.5-150-2PK	PWG0.5-150-3PK	PWG0.5-150-4PK	150	42.50	75.0	76.0	76.5	12	25	45.0
PWG0.5-160-1PK	PWG0.5-160-2PK	PWG0.5-160-3PK	PWG0.5-160-4PK	160	45.00	80.0	81.0	81.5	14	30	55.0
PWG0.5-170-1PK	PWG0.5-170-2PK	PWG0.5-170-3PK	PWG0.5-170-4PK	170	47.50	85.0	86.0	86.5	14	30	55.0
PWG0.5-180-1PK	PWG0.5-180-2PK	PWG0.5-180-3PK	PWG0.5-180-4PK	180	50.00	90.0	91.0	91.5	14	30	55.0
PWG0.5-190-1PK	PWG0.5-190-2PK	PWG0.5-190-3PK	PWG0.5-190-4PK	190	52.50	95.0	96.0	96.5	14	30	55.0
PWG0.5-200-1PK	PWG0.5-200-2PK	PWG0.5-200-3PK	PWG0.5-200-4PK	200	55.00	100.0	101.0	101.5	16	35	60.0
PWG0.5-210-1PK	PWG0.5-210-2PK	PWG0.5-210-3PK	PWG0.5-210-4PK	210	57.50	105.0	106.0	106.5	16	35	60.0
PWG0.5-220-1PK	PWG0.5-220-2PK	PWG0.5-220-3PK	PWG0.5-220-4PK	220	60.00	110.0	111.0	111.5	16	35	60.0
PWG0.5-230-1PK	PWG0.5-230-2PK	PWG0.5-230-3PK	PWG0.5-230-4PK	230	62.50	115.0	116.0	116.5	16	40	65.0
PWG0.5-240-1PK	PWG0.5-240-2PK	PWG0.5-240-3PK	PWG0.5-240-4PK	240	65.00	120.0	121.0	121.5	16	40	65.0
PWG0.5-250-1PK	PWG0.5-250-2PK	PWG0.5-250-3PK	PWG0.5-250-4PK	250	67.50	125.0	126.0	126.5	16	40	65.0

PWG-PK 0.5m_x

PRECISION GEARS

0.5 Module PEEK® Wormwheel α 20° PA

Quality Grade Wormwheel 8e DIN 3974/58405

Standard Part **PWG 0.5 50 1**

Modified Part **PWG 0.5 50 3 PK 8 K T**

PWG - Precision Worm Gear
Quality Grade 8e DIN 3974/58405
Other Quality Grades available.
See Technical

m_x Module - Cut with DIN 867 1.25/0.20/1.0
Ref. Tooth Profile Topping WD = 2.25 x m_x

Number of Teeth **z**

Number of Starts on Worm
Ratio = $\frac{(Z_2)}{(Z_1)}$ No. of teeth on wheel
 $\frac{(z_2)}{(z_1)}$ No. of starts on worm

T = 1 x Tapped hole **2T** = 2 x Tapped holes
P = 1 x Pin Hole **PT** = 1 x Pin Hole through
All threads metric as standard.
See Technical

K - Keyway supplied to
DIN 6885 - Js9 tolerance.
See Technical

To specify different bore enter size required
Example: 8 = 8mm H7 etc
See Technical

Material: PEEK GF30® (light brown).

Material: PEEK GF30® (light brown), RH lead angle.

Part Number	B backlash (mm)	Torque T ₂ Nm	Part Number	B backlash (mm)	Torque T ₂ Nm	Part Number	B backlash (mm)	Torque T ₂ Nm	Part Number	B backlash (mm)	Torque T ₂ Nm
1 Start	<i>j_{t,e}(max) j_{t,i}(min)</i>	<i>n₂ 100 Rpm</i>	2 Start	<i>j_{t,e}(max) j_{t,i}(min)</i>	<i>n₂ 100 Rpm</i>	3 Start	<i>j_{t,e}(max) j_{t,i}(min)</i>	<i>n₂ 100 Rpm</i>	4 Start	<i>j_{t,e}(max) j_{t,i}(min)</i>	<i>n₂ 100 Rpm</i>
PWG0.5-18-1PK	0.082 - 0.036	0.28	PWG0.5-18-2PK	0.082 - 0.036	0.27	PWG0.5-18-3PK	0.082 - 0.036	0.27	PWG0.5-18-4PK	0.083 - 0.036	0.27
PWG0.5-19-1PK	0.082 - 0.036	0.31	PWG0.5-19-2PK	0.082 - 0.036	0.30	PWG0.5-19-3PK	0.082 - 0.036	0.30	PWG0.5-19-4PK	0.083 - 0.036	0.31
PWG0.5-20-1PK	0.083 - 0.034	0.32	PWG0.5-20-2PK	0.084 - 0.034	0.33	PWG0.5-20-3PK	0.084 - 0.034	0.33	PWG0.5-20-4PK	0.085 - 0.034	0.34
PWG0.5-21-1PK	0.083 - 0.034	0.35	PWG0.5-21-2PK	0.084 - 0.034	0.36	PWG0.5-21-3PK	0.084 - 0.034	0.36	PWG0.5-21-4PK	0.085 - 0.034	0.37
PWG0.5-22-1PK	0.083 - 0.034	0.38	PWG0.5-22-2PK	0.084 - 0.034	0.39	PWG0.5-22-3PK	0.084 - 0.034	0.39	PWG0.5-22-4PK	0.085 - 0.034	0.41
PWG0.5-23-1PK	0.083 - 0.034	0.42	PWG0.5-23-2PK	0.084 - 0.034	0.43	PWG0.5-23-3PK	0.084 - 0.034	0.43	PWG0.5-23-4PK	0.085 - 0.034	0.44
PWG0.5-24-1PK	0.083 - 0.034	0.46	PWG0.5-24-2PK	0.084 - 0.034	0.47	PWG0.5-24-3PK	0.084 - 0.034	0.47	PWG0.5-24-4PK	0.085 - 0.034	0.48
PWG0.5-25-1PK	0.089 - 0.037	0.49	PWG0.5-25-2PK	0.089 - 0.037	0.50	PWG0.5-25-3PK	0.090 - 0.037	0.51	PWG0.5-25-4PK	0.090 - 0.038	0.52
PWG0.5-26-1PK	0.089 - 0.037	0.53	PWG0.5-26-2PK	0.089 - 0.037	0.54	PWG0.5-26-3PK	0.090 - 0.037	0.55	PWG0.5-26-4PK	0.090 - 0.038	0.56
PWG0.5-27-1PK	0.089 - 0.037	0.57	PWG0.5-27-2PK	0.089 - 0.037	0.58	PWG0.5-27-3PK	0.090 - 0.037	0.59	PWG0.5-27-4PK	0.090 - 0.038	0.61
PWG0.5-28-1PK	0.089 - 0.037	0.62	PWG0.5-28-2PK	0.089 - 0.037	0.63	PWG0.5-28-3PK	0.090 - 0.037	0.63	PWG0.5-28-4PK	0.090 - 0.038	0.65
PWG0.5-29-1PK	0.089 - 0.037	0.66	PWG0.5-29-2PK	0.089 - 0.037	0.67	PWG0.5-29-3PK	0.090 - 0.037	0.67	PWG0.5-29-4PK	0.090 - 0.038	0.70
PWG0.5-30-1PK	0.089 - 0.037	0.71	PWG0.5-30-2PK	0.089 - 0.037	0.72	PWG0.5-30-3PK	0.090 - 0.037	0.72	PWG0.5-30-4PK	0.090 - 0.038	0.74
PWG0.5-32-1PK	0.089 - 0.037	0.80	PWG0.5-32-2PK	0.089 - 0.037	0.81	PWG0.5-32-3PK	0.090 - 0.037	0.82	PWG0.5-32-4PK	0.090 - 0.038	0.84
PWG0.5-35-1PK	0.089 - 0.037	0.95	PWG0.5-35-2PK	0.089 - 0.037	0.96	PWG0.5-35-3PK	0.090 - 0.037	0.97	PWG0.5-35-4PK	0.090 - 0.038	1.00
PWG0.5-38-1PK	0.089 - 0.037	1.11	PWG0.5-38-2PK	0.089 - 0.037	1.13	PWG0.5-38-3PK	0.090 - 0.037	1.14	PWG0.5-38-4PK	0.090 - 0.038	1.17
PWG0.5-40-1PK	0.089 - 0.037	1.23	PWG0.5-40-2PK	0.089 - 0.037	1.15	PWG0.5-40-3PK	0.090 - 0.037	1.26	PWG0.5-40-4PK	0.090 - 0.038	1.30
PWG0.5-42-1PK	0.089 - 0.037	1.34	PWG0.5-42-2PK	0.089 - 0.037	1.27	PWG0.5-42-3PK	0.090 - 0.037	1.38	PWG0.5-42-4PK	0.090 - 0.038	1.43
PWG0.5-45-1PK	0.089 - 0.037	1.53	PWG0.5-45-2PK	0.089 - 0.037	1.46	PWG0.5-45-3PK	0.090 - 0.037	1.58	PWG0.5-45-4PK	0.090 - 0.038	1.63
PWG0.5-48-1PK	0.089 - 0.037	1.72	PWG0.5-48-2PK	0.089 - 0.037	1.66	PWG0.5-48-3PK	0.090 - 0.037	1.79	PWG0.5-48-4PK	0.090 - 0.038	1.85
PWG0.5-50-1PK	0.089 - 0.037	1.85	PWG0.5-50-2PK	0.089 - 0.037	1.80	PWG0.5-50-3PK	0.090 - 0.037	1.93	PWG0.5-50-4PK	0.090 - 0.038	2.00
PWG0.5-52-1PK	0.096 - 0.042	1.99	PWG0.5-52-2PK	0.097 - 0.042	1.94	PWG0.5-52-3PK	0.097 - 0.043	2.08	PWG0.5-52-4PK	0.098 - 0.043	2.15
PWG0.5-55-1PK	0.098 - 0.040	2.20	PWG0.5-55-2PK	0.099 - 0.040	2.16	PWG0.5-55-3PK	0.099 - 0.041	2.32	PWG0.5-55-4PK	0.100 - 0.041	2.40
PWG0.5-58-1PK	0.098 - 0.040	2.42	PWG0.5-58-2PK	0.099 - 0.040	2.40	PWG0.5-58-3PK	0.099 - 0.041	2.57	PWG0.5-58-4PK	0.100 - 0.041	2.66
PWG0.5-60-1PK	0.098 - 0.040	2.57	PWG0.5-60-2PK	0.099 - 0.040	2.56	PWG0.5-60-3PK	0.099 - 0.041	2.54	PWG0.5-60-4PK	0.100 - 0.041	2.84
PWG0.5-62-1PK	0.098 - 0.040	2.73	PWG0.5-62-2PK	0.099 - 0.040	2.73	PWG0.5-62-3PK	0.099 - 0.041	2.71	PWG0.5-62-4PK	0.100 - 0.041	3.01
PWG0.5-65-1PK	0.098 - 0.040	2.97	PWG0.5-65-2PK	0.099 - 0.040	2.99	PWG0.5-65-3PK	0.099 - 0.041	2.98	PWG0.5-65-4PK	0.100 - 0.041	3.16
PWG0.5-68-1PK	0.098 - 0.040	3.23	PWG0.5-68-2PK	0.099 - 0.040	3.26	PWG0.5-68-3PK	0.099 - 0.041	3.26	PWG0.5-68-4PK	0.100 - 0.041	3.30
PWG0.5-70-1PK	0.098 - 0.040	3.40	PWG0.5-70-2PK	0.099 - 0.040	3.42	PWG0.5-70-3PK	0.099 - 0.041	3.41	PWG0.5-70-4PK	0.100 - 0.041	3.40
PWG0.5-72-1PK	0.098 - 0.040	3.57	PWG0.5-72-2PK	0.099 - 0.040	3.52	PWG0.5-72-3PK	0.099 - 0.041	3.51	PWG0.5-72-4PK	0.100 - 0.041	3.50
PWG0.5-75-1PK	0.098 - 0.040	3.81	PWG0.5-75-2PK	0.099 - 0.040	3.67	PWG0.5-75-3PK	0.099 - 0.041	3.66	PWG0.5-75-4PK	0.100 - 0.041	3.64
PWG0.5-78-1PK	0.098 - 0.040	3.97	PWG0.5-78-2PK	0.099 - 0.040	3.81	PWG0.5-78-3PK	0.099 - 0.041	3.80	PWG0.5-78-4PK	0.100 - 0.041	3.79
PWG0.5-80-1PK	0.098 - 0.040	4.09	PWG0.5-80-2PK	0.099 - 0.040	3.91	PWG0.5-80-3PK	0.099 - 0.041	3.90	PWG0.5-80-4PK	0.100 - 0.041	3.88
PWG0.5-82-1PK	0.098 - 0.040	4.20	PWG0.5-82-2PK	0.099 - 0.040	4.01	PWG0.5-82-3PK	0.099 - 0.041	4.00	PWG0.5-82-4PK	0.100 - 0.041	3.98
PWG0.5-85-1PK	0.098 - 0.040	4.36	PWG0.5-85-2PK	0.099 - 0.040	4.15	PWG0.5-85-3PK	0.099 - 0.041	4.14	PWG0.5-85-4PK	0.100 - 0.041	4.13
PWG0.5-90-1PK	0.098 - 0.040	4.65	PWG0.5-90-2PK	0.099 - 0.040	4.40	PWG0.5-90-3PK	0.099 - 0.041	4.39	PWG0.5-90-4PK	0.100 - 0.041	4.37
PWG0.5-95-1PK	0.098 - 0.040	4.93	PWG0.5-95-2PK	0.099 - 0.040	4.64	PWG0.5-95-3PK	0.099 - 0.041	4.63	PWG0.5-95-4PK	0.100 - 0.041	4.61
PWG0.5-100-1PK	0.098 - 0.040	5.21	PWG0.5-100-2PK	0.099 - 0.040	4.89	PWG0.5-100-3PK	0.099 - 0.041	4.87	PWG0.5-100-4PK	0.100 - 0.041	4.86
PWG0.5-105-1PK	0.108 - 0.041	5.50	PWG0.5-105-2PK	0.108 - 0.041	5.15	PWG0.5-105-3PK	0.109 - 0.042	5.12	PWG0.5-105-4PK	0.110 - 0.042	5.10
PWG0.5-110-1PK	0.108 - 0.041	5.78	PWG0.5-110-2PK	0.108 - 0.041	5.42	PWG0.5-110-3PK	0.109 - 0.042	5.36	PWG0.5-110-4PK	0.110 - 0.042	5.34
PWG0.5-115-1PK	0.108 - 0.041	6.07	PWG0.5-115-2PK	0.108 - 0.041	5.69	PWG0.5-115-3PK	0.109 - 0.042	5.61	PWG0.5-115-4PK	0.110 - 0.042	5.58
PWG0.5-120-1PK	0.108 - 0.041	6.36	PWG0.5-120-2PK	0.108 - 0.041	5.96	PWG0.5-120-3PK	0.109 - 0.042	5.85	PWG0.5-120-4PK	0.110 - 0.042	5.83
PWG0.5-130-1PK	0.108 - 0.041	6.94	PWG0.5-130-2PK	0.108 - 0.041	6.51	PWG0.5-130-3PK	0.109 - 0.042	6.34	PWG0.5-130-4PK	0.110 - 0.042	6.31
PWG0.5-140-1PK	0.108 - 0.041	7.52	PWG0.5-140-2PK	0.108 - 0.041	7.05	PWG0.5-140-3PK	0.109 - 0.042	6.82	PWG0.5-140-4PK	0.110 - 0.042	6.80
PWG0.5-150-1PK	0.108 - 0.041	8.11	PWG0.5-150-2PK	0.108 - 0.041	7.60	PWG0.5-150-3PK	0.109 - 0.042	7.31	PWG0.5-150-4PK	0.110 - 0.042	7.28
PWG0.5-160-1PK	0.108 - 0.041	8.70	PWG0.5-160-2PK	0.108 - 0.041	8.16	PWG0.5-160-3PK	0.109 - 0.042	7.84	PWG0.5-160-4PK	0.110 - 0.042	7.77
PWG0.5-170-1PK	0.108 - 0.041	9.29	PWG0.5-170-2PK	0.108 - 0.041	8.71	PWG0.5-170-3PK	0.109 - 0.042	8.38	PWG0.5-170-4PK	0.110 - 0.042	8.26
PWG0.5-180-1PK	0.108 - 0.041	9.89	PWG0.5-180-2PK	0.108 - 0.041	9.28	PWG0.5-180-3PK	0.109 - 0.042	8.92	PWG0.5-180-4PK	0.110 - 0.042	8.74
PWG0.5-190-1PK	0.110 - 0.039	10.49	PWG0.5-190-2PK	0.111 - 0.039	9.84	PWG0.5-190-3PK	0.112 - 0.039	9.46	PWG0.5-190-4PK	0.113 - 0.039	9.23
PWG0.5-200-1PK	0.110 - 0.039	11.09	PWG0.5-200-2PK	0.111 - 0.039	10.40	PWG0.5-200-3PK	0.112 - 0.039	10.00	PWG0.5-200-4PK	0.113 - 0.039	9.71
PWG0.5-210-1PK	0.120 - 0.045	11.70	PWG0.5-210-2PK	0.121 - 0.045	10.97	PWG0.5-210-3PK	0.121 - 0.045	10.55	PWG0.5-210-4PK	0.122 - 0.046	10.24
PWG0.5-220-1PK	0.120 - 0.045	12.31	PWG0.5-220-2PK	0.121 - 0.045	11.54	PWG0.5-220-3PK	0.121 - 0.045	11.10	PWG0.5-220-4PK	0.122 - 0.046	10.78
PWG0.5-230-1PK	0.120 - 0.045	12.92	PWG0.5-230-2PK	0.121 - 0.045	12.12	PWG0.5-230-3PK	0.121 - 0.045	11.65	PWG0.5-230-4PK	0.122 - 0.046	11.31
PWG0.5-240-1PK	0.120 - 0.045	13.53	PWG0.5-240-2PK	0.121 - 0.045	12.69	PWG0.5-240-3PK	0.121 - 0.045	12.20	PWG0.5-240-4PK	0.122 - 0.046	11.85
PWG0.5-250-1PK	0.120 - 0.045	14.15	PWG0.5-250-2PK	0.121 - 0.045	13.27	PWG0.5-250-3PK	0.121 - 0.045	12.76	PWG0.5-250-4PK	0.122 - 0.046	12.39

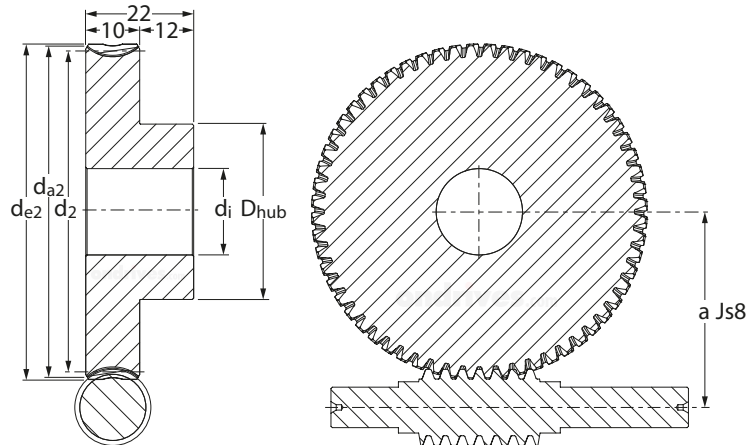
PWG-DL 1.0m_x



PRECISION GEARS

1.0 Module Delrin Wormwheel α 20° PA

Quality Grade Wormwheel 8e25 DIN 3974/3967



DIN 3967 Tooth Thickness tol.

Part Number				No. of Teeth	Centre Distance	Ref. Dia.	Wheel Throat	Tip Dia.	Bore Dia. H7	Max. Bore Dia. H7	Hub Dia.
1 Start	2 Start	3 Start	4 Start	z_2	a	d_2	d_{a2}	d_{e2}	d_i	d_j	D_{hub}
PWG1.0-15-1DL	PWG1.0-15-2DL	PWG1.0-15-3DL	PWG1.0-15-4DL	15	15.0	15	17	18	5	5	12
PWG1.0-16-1DL	PWG1.0-16-2DL	PWG1.0-16-3DL	PWG1.0-16-4DL	16	15.5	16	18	19	5	5	12
PWG1.0-17-1DL	PWG1.0-17-2DL	PWG1.0-17-3DL	PWG1.0-17-4DL	17	16.0	17	19	20	5	5	12
PWG1.0-18-1DL	PWG1.0-18-2DL	PWG1.0-18-3DL	PWG1.0-18-4DL	18	16.5	18	20	21	5	5	12
PWG1.0-19-1DL	PWG1.0-19-2DL	PWG1.0-19-3DL	PWG1.0-19-4DL	19	17.0	19	21	22	5	5	12
PWG1.0-20-1DL	PWG1.0-20-2DL	PWG1.0-20-3DL	PWG1.0-20-4DL	20	17.5	20	22	23	5	5	12
PWG1.0-21-1DL	PWG1.0-21-2DL	PWG1.0-21-3DL	PWG1.0-21-4DL	21	18.0	21	23	24	5	5	12
PWG1.0-22-1DL	PWG1.0-22-2DL	PWG1.0-22-3DL	PWG1.0-22-4DL	22	18.5	22	24	25	5	5	12
PWG1.0-23-1DL	PWG1.0-23-2DL	PWG1.0-23-3DL	PWG1.0-23-4DL	23	19.0	23	25	26	5	5	12
PWG1.0-24-1DL	PWG1.0-24-2DL	PWG1.0-24-3DL	PWG1.0-24-4DL	24	19.5	24	26	27	6	10	20
PWG1.0-25-1DL	PWG1.0-25-2DL	PWG1.0-25-3DL	PWG1.0-25-4DL	25	20.0	25	27	28	6	10	20
PWG1.0-26-1DL	PWG1.0-26-2DL	PWG1.0-26-3DL	PWG1.0-26-4DL	26	20.5	26	28	29	6	10	20
PWG1.0-27-1DL	PWG1.0-27-2DL	PWG1.0-27-3DL	PWG1.0-27-4DL	27	21.0	27	29	30	6	10	20
PWG1.0-28-1DL	PWG1.0-28-2DL	PWG1.0-28-3DL	PWG1.0-28-4DL	28	21.5	28	30	31	6	10	20
PWG1.0-29-1DL	PWG1.0-29-2DL	PWG1.0-29-3DL	PWG1.0-29-4DL	29	22.0	29	31	32	8	14	25
PWG1.0-30-1DL	PWG1.0-30-2DL	PWG1.0-30-3DL	PWG1.0-30-4DL	30	22.5	30	32	33	8	14	25
PWG1.0-32-1DL	PWG1.0-32-2DL	PWG1.0-32-3DL	PWG1.0-32-4DL	32	23.5	32	34	35	8	14	25
PWG1.0-35-1DL	PWG1.0-35-2DL	PWG1.0-35-3DL	PWG1.0-35-4DL	35	25.0	35	37	38	8	14	25
PWG1.0-38-1DL	PWG1.0-38-2DL	PWG1.0-38-3DL	PWG1.0-38-4DL	38	26.5	38	40	41	10	20	35
PWG1.0-40-1DL	PWG1.0-40-2DL	PWG1.0-40-3DL	PWG1.0-40-4DL	40	27.5	40	42	43	10	20	35
PWG1.0-42-1DL	PWG1.0-42-2DL	PWG1.0-42-3DL	PWG1.0-42-4DL	42	28.5	42	44	45	10	20	35
PWG1.0-45-1DL	PWG1.0-45-2DL	PWG1.0-45-3DL	PWG1.0-45-4DL	45	30.0	45	47	48	10	20	35
PWG1.0-48-1DL	PWG1.0-48-2DL	PWG1.0-48-3DL	PWG1.0-48-4DL	48	31.5	48	50	51	10	20	35
PWG1.0-50-1DL	PWG1.0-50-2DL	PWG1.0-50-3DL	PWG1.0-50-4DL	50	32.5	50	52	53	10	20	35
PWG1.0-52-1DL	PWG1.0-52-2DL	PWG1.0-52-3DL	PWG1.0-52-4DL	52	33.5	52	54	55	10	20	35
PWG1.0-55-1DL	PWG1.0-55-2DL	PWG1.0-55-3DL	PWG1.0-55-4DL	55	35.0	55	57	58	10	20	35
PWG1.0-58-1DL	PWG1.0-58-2DL	PWG1.0-58-3DL	PWG1.0-58-4DL	58	36.5	58	60	61	10	25	40
PWG1.0-60-1DL	PWG1.0-60-2DL	PWG1.0-60-3DL	PWG1.0-60-4DL	60	37.5	60	62	63	10	25	40
PWG1.0-62-1DL	PWG1.0-62-2DL	PWG1.0-62-3DL	PWG1.0-62-4DL	62	38.5	62	64	65	10	25	40
PWG1.0-65-1DL	PWG1.0-65-2DL	PWG1.0-65-3DL	PWG1.0-65-4DL	65	40.0	65	67	68	10	25	40
PWG1.0-68-1DL	PWG1.0-68-2DL	PWG1.0-68-3DL	PWG1.0-68-4DL	68	41.5	68	70	71	10	25	40
PWG1.0-70-1DL	PWG1.0-70-2DL	PWG1.0-70-3DL	PWG1.0-70-4DL	70	42.5	70	72	73	10	25	40
PWG1.0-72-1DL	PWG1.0-72-2DL	PWG1.0-72-3DL	PWG1.0-72-4DL	72	43.5	72	74	75	10	25	40
PWG1.0-75-1DL	PWG1.0-75-2DL	PWG1.0-75-3DL	PWG1.0-75-4DL	75	45.0	75	77	78	10	25	40
PWG1.0-78-1DL	PWG1.0-78-2DL	PWG1.0-78-3DL	PWG1.0-78-4DL	78	46.5	78	80	81	10	30	50
PWG1.0-80-1DL	PWG1.0-80-2DL	PWG1.0-80-3DL	PWG1.0-80-4DL	80	47.5	80	82	83	10	30	50
PWG1.0-82-1DL	PWG1.0-82-2DL	PWG1.0-82-3DL	PWG1.0-82-4DL	82	48.5	82	84	85	12	30	50
PWG1.0-85-1DL	PWG1.0-85-2DL	PWG1.0-85-3DL	PWG1.0-85-4DL	85	50.0	85	87	88	12	30	50
PWG1.0-90-1DL	PWG1.0-90-2DL	PWG1.0-90-3DL	PWG1.0-90-4DL	90	52.5	90	92	93	12	30	50
PWG1.0-95-1DL	PWG1.0-95-2DL	PWG1.0-95-3DL	PWG1.0-95-4DL	95	55.0	95	97	98	12	30	50
PWG1.0-100-1DL	PWG1.0-100-2DL	PWG1.0-100-3DL	PWG1.0-100-4DL	100	57.5	100	102	103	14	40	65
PWG1.0-105-1DL	PWG1.0-105-2DL	PWG1.0-105-3DL	PWG1.0-105-4DL	105	60.0	105	107	108	14	40	65
PWG1.0-110-1DL	PWG1.0-110-2DL	PWG1.0-110-3DL	PWG1.0-110-4DL	110	62.5	110	112	113	14	40	65
PWG1.0-115-1DL	PWG1.0-115-2DL	PWG1.0-115-3DL	PWG1.0-115-4DL	115	65.0	115	117	118	14	40	65
PWG1.0-120-1DL	PWG1.0-120-2DL	PWG1.0-120-3DL	PWG1.0-120-4DL	120	67.5	120	122	123	14	40	65
PWG1.0-125-1DL	PWG1.0-125-2DL	PWG1.0-125-3DL	PWG1.0-125-4DL	125	70.0	125	127	128	14	40	65

PWG-DL 1.0m_x

PRECISION GEARS

1.0 Module Delrin Wormwheel α 20° PA

Quality Grade Wormwheel 8e25 DIN 3974/3967

Standard Part **PWG 1.0-50 1**

Modified Part **PWG 1.0-50 3 DL 12 K T**

PWG - Precision Worm Gear
Quality Grade 8e DIN 3974/3967
Other Quality Grades available.
See Technical

m_x Module - Cut with DIN 867 1.25/0.20/1.0
Ref. Tooth Profile Topping WD = 2.25 x m_x

Number of Teeth **z**

Number of Starts on Worm
Ratio = $\frac{(z_2)}{(z_1)}$ No. of teeth on wheel
 $\frac{(z_1)}{(z_2)}$ No. of starts on worm

T = 1 x Tapped hole **2T** = 2 x Tapped holes
P = 1 x Pin Hole **PT** = 1 x Pin Hole through
All threads metric as standard.
See Technical

K - Keyway supplied to
DIN 6885 - Js9 tolerance.
See Technical

To specify different bore enter size required
Example: 12 = 12mm H7 etc
See Technical

Material: Delrin POM (white).

Material: Delrin POM (white). RH lead angle.

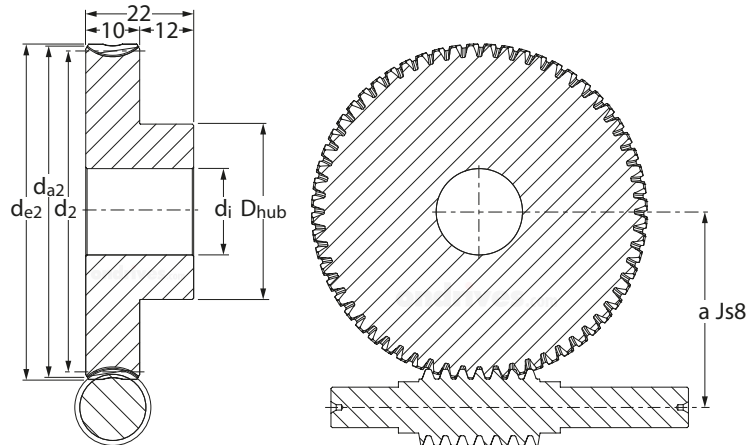
Part Number 1 Start	Backlash (mm) j _{t,e} (max) j _{t,i} (min)	Torque T ₂ Nm n ₂ 100 Rpm	Part Number 2 Start	Backlash (mm) j _{t,e} (max) j _{t,i} (min)	Torque T ₂ Nm n ₂ 100 Rpm	Part Number 3 Start	Backlash (mm) j _{t,e} (max) j _{t,i} (min)	Torque T ₂ Nm n ₂ 100 Rpm	Part Number 4 Start	Backlash (mm) j _{t,e} (max) j _{t,i} (min)	Torque T ₂ Nm n ₂ 100 Rpm
PWG1.0-15-1DL	0.112 - 0.042	1.03	PWG1.0-15-2DL	0.113 - 0.043	1.06	PWG1.0-15-3DL	0.114 - 0.043	1.12	PWG1.0-15-4DL	0.116 - 0.044	1.22
PWG1.0-16-1DL	0.112 - 0.042	1.15	PWG1.0-16-2DL	0.113 - 0.043	1.19	PWG1.0-16-3DL	0.114 - 0.043	1.26	PWG1.0-16-4DL	0.116 - 0.044	1.37
PWG1.0-17-1DL	0.112 - 0.042	1.29	PWG1.0-17-2DL	0.113 - 0.043	1.33	PWG1.0-17-3DL	0.114 - 0.043	1.41	PWG1.0-17-4DL	0.116 - 0.044	1.53
PWG1.0-18-1DL	0.112 - 0.042	1.43	PWG1.0-18-2DL	0.113 - 0.043	1.47	PWG1.0-18-3DL	0.114 - 0.043	1.56	PWG1.0-18-4DL	0.116 - 0.044	1.70
PWG1.0-19-1DL	0.112 - 0.042	1.57	PWG1.0-19-2DL	0.113 - 0.043	1.62	PWG1.0-19-3DL	0.114 - 0.043	1.72	PWG1.0-19-4DL	0.116 - 0.044	1.87
PWG1.0-20-1DL	0.112 - 0.042	1.72	PWG1.0-20-2DL	0.113 - 0.043	1.78	PWG1.0-20-3DL	0.114 - 0.043	1.89	PWG1.0-20-4DL	0.116 - 0.044	2.05
PWG1.0-21-1DL	0.112 - 0.042	1.88	PWG1.0-21-2DL	0.113 - 0.043	1.94	PWG1.0-21-3DL	0.114 - 0.043	2.06	PWG1.0-21-4DL	0.116 - 0.044	2.24
PWG1.0-22-1DL	0.114 - 0.040	2.05	PWG1.0-22-2DL	0.115 - 0.041	2.11	PWG1.0-22-3DL	0.116 - 0.041	2.24	PWG1.0-22-4DL	0.118 - 0.042	2.44
PWG1.0-23-1DL	0.114 - 0.040	2.22	PWG1.0-23-2DL	0.115 - 0.041	2.29	PWG1.0-23-3DL	0.116 - 0.041	2.42	PWG1.0-23-4DL	0.118 - 0.042	2.64
PWG1.0-24-1DL	0.114 - 0.040	2.39	PWG1.0-24-2DL	0.115 - 0.041	2.47	PWG1.0-24-3DL	0.116 - 0.041	2.62	PWG1.0-24-4DL	0.118 - 0.042	2.85
PWG1.0-25-1DL	0.114 - 0.040	2.58	PWG1.0-25-2DL	0.115 - 0.041	2.66	PWG1.0-25-3DL	0.116 - 0.041	2.82	PWG1.0-25-4DL	0.118 - 0.042	3.07
PWG1.0-26-1DL	0.114 - 0.040	2.76	PWG1.0-26-2DL	0.115 - 0.041	2.85	PWG1.0-26-3DL	0.116 - 0.041	3.02	PWG1.0-26-4DL	0.118 - 0.042	3.29
PWG1.0-27-1DL	0.114 - 0.040	2.96	PWG1.0-27-2DL	0.115 - 0.041	3.05	PWG1.0-27-3DL	0.116 - 0.041	3.24	PWG1.0-27-4DL	0.118 - 0.042	3.52
PWG1.0-28-1DL	0.114 - 0.040	3.16	PWG1.0-28-2DL	0.115 - 0.041	3.26	PWG1.0-28-3DL	0.116 - 0.041	3.46	PWG1.0-28-4DL	0.118 - 0.042	3.76
PWG1.0-29-1DL	0.114 - 0.040	3.36	PWG1.0-29-2DL	0.115 - 0.041	3.47	PWG1.0-29-3DL	0.116 - 0.041	3.68	PWG1.0-29-4DL	0.118 - 0.042	4.01
PWG1.0-30-1DL	0.114 - 0.040	3.58	PWG1.0-30-2DL	0.115 - 0.041	3.69	PWG1.0-30-3DL	0.116 - 0.041	3.91	PWG1.0-30-4DL	0.118 - 0.042	4.26
PWG1.0-32-1DL	0.114 - 0.040	4.02	PWG1.0-32-2DL	0.115 - 0.041	4.14	PWG1.0-32-3DL	0.116 - 0.041	4.39	PWG1.0-32-4DL	0.118 - 0.042	4.78
PWG1.0-35-1DL	0.114 - 0.040	4.72	PWG1.0-35-2DL	0.115 - 0.041	4.87	PWG1.0-35-3DL	0.116 - 0.041	5.16	PWG1.0-35-4DL	0.118 - 0.042	5.62
PWG1.0-38-1DL	0.114 - 0.040	5.47	PWG1.0-38-2DL	0.115 - 0.041	5.65	PWG1.0-38-3DL	0.116 - 0.041	5.99	PWG1.0-38-4DL	0.118 - 0.042	6.52
PWG1.0-40-1DL	0.114 - 0.040	6.00	PWG1.0-40-2DL	0.115 - 0.041	6.19	PWG1.0-40-3DL	0.116 - 0.041	6.57	PWG1.0-40-4DL	0.118 - 0.042	7.15
PWG1.0-42-1DL	0.114 - 0.040	6.55	PWG1.0-42-2DL	0.115 - 0.041	6.76	PWG1.0-42-3DL	0.116 - 0.041	7.17	PWG1.0-42-4DL	0.118 - 0.042	7.81
PWG1.0-45-1DL	0.114 - 0.040	7.42	PWG1.0-45-2DL	0.115 - 0.041	7.66	PWG1.0-45-3DL	0.116 - 0.041	8.12	PWG1.0-45-4DL	0.118 - 0.042	8.84
PWG1.0-48-1DL	0.116 - 0.038	8.33	PWG1.0-48-2DL	0.117 - 0.038	8.60	PWG1.0-48-3DL	0.118 - 0.039	9.12	PWG1.0-48-4DL	0.120 - 0.039	9.93
PWG1.0-50-1DL	0.116 - 0.038	8.97	PWG1.0-50-2DL	0.117 - 0.038	9.25	PWG1.0-50-3DL	0.118 - 0.039	9.81	PWG1.0-50-4DL	0.120 - 0.039	10.68
PWG1.0-52-1DL	0.136 - 0.048	9.62	PWG1.0-52-2DL	0.137 - 0.048	9.93	PWG1.0-52-3DL	0.139 - 0.049	10.53	PWG1.0-52-4DL	0.141 - 0.049	11.46
PWG1.0-55-1DL	0.136 - 0.048	10.65	PWG1.0-55-2DL	0.137 - 0.048	10.99	PWG1.0-55-3DL	0.139 - 0.049	11.65	PWG1.0-55-4DL	0.141 - 0.049	12.68
PWG1.0-58-1DL	0.136 - 0.048	11.71	PWG1.0-58-2DL	0.137 - 0.048	12.09	PWG1.0-58-3DL	0.139 - 0.049	12.82	PWG1.0-58-4DL	0.141 - 0.049	13.95
PWG1.0-60-1DL	0.136 - 0.048	12.45	PWG1.0-60-2DL	0.137 - 0.048	12.85	PWG1.0-60-3DL	0.139 - 0.049	13.62	PWG1.0-60-4DL	0.141 - 0.049	14.83
PWG1.0-62-1DL	0.136 - 0.048	13.21	PWG1.0-62-2DL	0.137 - 0.048	13.63	PWG1.0-62-3DL	0.139 - 0.049	14.45	PWG1.0-62-4DL	0.141 - 0.049	15.73
PWG1.0-65-1DL	0.136 - 0.048	14.38	PWG1.0-65-2DL	0.137 - 0.048	14.84	PWG1.0-65-3DL	0.139 - 0.049	15.73	PWG1.0-65-4DL	0.141 - 0.049	17.13
PWG1.0-68-1DL	0.136 - 0.048	15.60	PWG1.0-68-2DL	0.137 - 0.048	16.09	PWG1.0-68-3DL	0.139 - 0.049	17.07	PWG1.0-68-4DL	0.141 - 0.049	18.58
PWG1.0-70-1DL	0.136 - 0.048	16.43	PWG1.0-70-2DL	0.137 - 0.048	16.96	PWG1.0-70-3DL	0.139 - 0.049	17.98	PWG1.0-70-4DL	0.141 - 0.049	19.58
PWG1.0-72-1DL	0.136 - 0.048	17.29	PWG1.0-72-2DL	0.137 - 0.048	17.84	PWG1.0-72-3DL	0.139 - 0.049	18.91	PWG1.0-72-4DL	0.141 - 0.049	20.59
PWG1.0-75-1DL	0.136 - 0.048	18.61	PWG1.0-75-2DL	0.137 - 0.048	19.20	PWG1.0-75-3DL	0.139 - 0.049	20.36	PWG1.0-75-4DL	0.141 - 0.049	22.16
PWG1.0-78-1DL	0.136 - 0.048	19.97	PWG1.0-78-2DL	0.137 - 0.048	20.60	PWG1.0-78-3DL	0.139 - 0.049	21.85	PWG1.0-78-4DL	0.141 - 0.049	23.50
PWG1.0-80-1DL	0.136 - 0.048	20.90	PWG1.0-80-2DL	0.137 - 0.048	21.56	PWG1.0-80-3DL	0.139 - 0.049	22.86	PWG1.0-80-4DL	0.141 - 0.049	24.17
PWG1.0-82-1DL	0.136 - 0.048	21.85	PWG1.0-82-2DL	0.137 - 0.048	22.54	PWG1.0-82-3DL	0.139 - 0.049	23.90	PWG1.0-82-4DL	0.141 - 0.049	24.83
PWG1.0-85-1DL	0.136 - 0.048	23.31	PWG1.0-85-2DL	0.137 - 0.048	24.05	PWG1.0-85-3DL	0.139 - 0.049	25.50	PWG1.0-85-4DL	0.141 - 0.049	25.84
PWG1.0-90-1DL	0.139 - 0.045	25.83	PWG1.0-90-2DL	0.140 - 0.046	26.66	PWG1.0-90-3DL	0.141 - 0.046	28.26	PWG1.0-90-4DL	0.144 - 0.047	27.52
PWG1.0-95-1DL	0.139 - 0.045	28.47	PWG1.0-95-2DL	0.140 - 0.046	29.38	PWG1.0-95-3DL	0.141 - 0.046	30.53	PWG1.0-95-4DL	0.144 - 0.047	29.22
PWG1.0-100-1DL	0.139 - 0.045	31.23	PWG1.0-100-2DL	0.140 - 0.046	32.22	PWG1.0-100-3DL	0.141 - 0.046	32.30	PWG1.0-100-4DL	0.144 - 0.047	30.92
PWG1.0-105-1DL	0.139 - 0.045	34.09	PWG1.0-105-2DL	0.140 - 0.046	34.30	PWG1.0-105-3DL	0.141 - 0.046	33.99	PWG1.0-105-4DL	0.144 - 0.047	32.62
PWG1.0-110-1DL	0.139 - 0.045	37.07	PWG1.0-110-2DL	0.140 - 0.046	36.09	PWG1.0-110-3DL	0.141 - 0.046	35.61	PWG1.0-110-4DL	0.144 - 0.047	34.34
PWG1.0-115-1DL	0.139 - 0.045	40.16	PWG1.0-115-2DL	0.140 - 0.046	37.88	PWG1.0-115-3DL	0.141 - 0.046	37.23	PWG1.0-115-4DL	0.144 - 0.047	36.06
PWG1.0-120-1DL	0.139 - 0.045	42.36	PWG1.0-120-2DL	0.140 - 0.046	39.68	PWG1.0-120-3DL	0.141 - 0.046	38.85	PWG1.0-120-4DL	0.144 - 0.047	37.79
PWG1.0-125-1DL	0.139 - 0.045	44.28	PWG1.0-125-2DL	0.140 - 0.046	41.48	PWG1.0-125-3DL	0.141 - 0.046	40.47	PWG1.0-125-4DL	0.144 - 0.047	39.53

PWG-PK
1.0m_x

PRECISION GEARS

1.0 Module PEEK® Wormwheel α 20° PA

Quality Grade Wormwheel 8e25 DIN 3974/3967



DIN 3967 Tooth Thickness tol.

Part Number				No. of Teeth z_2	Centre Distance a	Ref. Dia. d_2	Wheel Throat d_{a2}	Tip Dia. d_{e2}	Bore Dia. H7 d_j	Max. Bore Dia. H7 d_j	Hub Dia. D_{hub}
1 Start	2 Start	3 Start	4 Start								
PWG1.0-15-1PK	PWG1.0-15-2PK	PWG1.0-15-3PK	PWG1.0-15-4PK	15	15.0	15	17	18	5	5	12
PWG1.0-16-1PK	PWG1.0-16-2PK	PWG1.0-16-3PK	PWG1.0-16-4PK	16	15.5	16	18	19	5	5	12
PWG1.0-17-1PK	PWG1.0-17-2PK	PWG1.0-17-3PK	PWG1.0-17-4PK	17	16.0	17	19	20	5	5	12
PWG1.0-18-1PK	PWG1.0-18-2PK	PWG1.0-18-3PK	PWG1.0-18-4PK	18	16.5	18	20	21	5	5	12
PWG1.0-19-1PK	PWG1.0-19-2PK	PWG1.0-19-3PK	PWG1.0-19-4PK	19	17.0	19	21	22	5	5	12
PWG1.0-20-1PK	PWG1.0-20-2PK	PWG1.0-20-3PK	PWG1.0-20-4PK	20	17.5	20	22	23	5	5	12
PWG1.0-21-1PK	PWG1.0-21-2PK	PWG1.0-21-3PK	PWG1.0-21-4PK	21	18.0	21	23	24	5	5	12
PWG1.0-22-1PK	PWG1.0-22-2PK	PWG1.0-22-3PK	PWG1.0-22-4PK	22	18.5	22	24	25	5	5	12
PWG1.0-23-1PK	PWG1.0-23-2PK	PWG1.0-23-3PK	PWG1.0-23-4PK	23	19.0	23	25	26	5	5	12
PWG1.0-24-1PK	PWG1.0-24-2PK	PWG1.0-24-3PK	PWG1.0-24-4PK	24	19.5	24	26	27	6	10	20
PWG1.0-25-1PK	PWG1.0-25-2PK	PWG1.0-25-3PK	PWG1.0-25-4PK	25	20.0	25	27	28	6	10	20
PWG1.0-26-1PK	PWG1.0-26-2PK	PWG1.0-26-3PK	PWG1.0-26-4PK	26	20.5	26	28	29	6	10	20
PWG1.0-27-1PK	PWG1.0-27-2PK	PWG1.0-27-3PK	PWG1.0-27-4PK	27	21.0	27	29	30	6	10	20
PWG1.0-28-1PK	PWG1.0-28-2PK	PWG1.0-28-3PK	PWG1.0-28-4PK	28	21.5	28	30	31	6	10	20
PWG1.0-29-1PK	PWG1.0-29-2PK	PWG1.0-29-3PK	PWG1.0-29-4PK	29	22.0	29	31	32	8	14	25
PWG1.0-30-1PK	PWG1.0-30-2PK	PWG1.0-30-3PK	PWG1.0-30-4PK	30	22.5	30	32	33	8	14	25
PWG1.0-32-1PK	PWG1.0-32-2PK	PWG1.0-32-3PK	PWG1.0-32-4PK	32	23.5	32	34	35	8	14	25
PWG1.0-35-1PK	PWG1.0-35-2PK	PWG1.0-35-3PK	PWG1.0-35-4PK	35	25.0	35	37	38	8	14	25
PWG1.0-38-1PK	PWG1.0-38-2PK	PWG1.0-38-3PK	PWG1.0-38-4PK	38	26.5	38	40	41	10	20	35
PWG1.0-40-1PK	PWG1.0-40-2PK	PWG1.0-40-3PK	PWG1.0-40-4PK	40	27.5	40	42	43	10	20	35
PWG1.0-42-1PK	PWG1.0-42-2PK	PWG1.0-42-3PK	PWG1.0-42-4PK	42	28.5	42	44	45	10	20	35
PWG1.0-45-1PK	PWG1.0-45-2PK	PWG1.0-45-3PK	PWG1.0-45-4PK	45	30.0	45	47	48	10	20	35
PWG1.0-48-1PK	PWG1.0-48-2PK	PWG1.0-48-3PK	PWG1.0-48-4PK	48	31.5	48	50	51	10	20	35
PWG1.0-50-1PK	PWG1.0-50-2PK	PWG1.0-50-3PK	PWG1.0-50-4PK	50	32.5	50	52	53	10	20	35
PWG1.0-52-1PK	PWG1.0-52-2PK	PWG1.0-52-3PK	PWG1.0-52-4PK	52	33.5	52	54	55	10	20	35
PWG1.0-55-1PK	PWG1.0-55-2PK	PWG1.0-55-3PK	PWG1.0-55-4PK	55	35.0	55	57	58	10	20	35
PWG1.0-58-1PK	PWG1.0-58-2PK	PWG1.0-58-3PK	PWG1.0-58-4PK	58	36.5	58	60	61	10	25	40
PWG1.0-60-1PK	PWG1.0-60-2PK	PWG1.0-60-3PK	PWG1.0-60-4PK	60	37.5	60	62	63	10	25	40
PWG1.0-62-1PK	PWG1.0-62-2PK	PWG1.0-62-3PK	PWG1.0-62-4PK	62	38.5	62	64	65	10	25	40
PWG1.0-65-1PK	PWG1.0-65-2PK	PWG1.0-65-3PK	PWG1.0-65-4PK	65	40.0	65	67	68	10	25	40
PWG1.0-68-1PK	PWG1.0-68-2PK	PWG1.0-68-3PK	PWG1.0-68-4PK	68	41.5	68	70	71	10	25	40
PWG1.0-70-1PK	PWG1.0-70-2PK	PWG1.0-70-3PK	PWG1.0-70-4PK	70	42.5	70	72	73	10	25	40
PWG1.0-72-1PK	PWG1.0-72-2PK	PWG1.0-72-3PK	PWG1.0-72-4PK	72	43.5	72	74	75	10	25	40
PWG1.0-75-1PK	PWG1.0-75-2PK	PWG1.0-75-3PK	PWG1.0-75-4PK	75	45.0	75	77	78	10	25	40
PWG1.0-78-1PK	PWG1.0-78-2PK	PWG1.0-78-3PK	PWG1.0-78-4PK	78	46.5	78	80	81	10	30	50
PWG1.0-80-1PK	PWG1.0-80-2PK	PWG1.0-80-3PK	PWG1.0-80-4PK	80	47.5	80	82	83	10	30	50
PWG1.0-82-1PK	PWG1.0-82-2PK	PWG1.0-82-3PK	PWG1.0-82-4PK	82	48.5	82	84	85	12	30	50
PWG1.0-85-1PK	PWG1.0-85-2PK	PWG1.0-85-3PK	PWG1.0-85-4PK	85	50.0	85	87	88	12	30	50
PWG1.0-90-1PK	PWG1.0-90-2PK	PWG1.0-90-3PK	PWG1.0-90-4PK	90	52.5	90	92	93	12	30	50
PWG1.0-95-1PK	PWG1.0-95-2PK	PWG1.0-95-3PK	PWG1.0-95-4PK	95	55.0	95	97	98	12	30	50
PWG1.0-100-1PK	PWG1.0-100-2PK	PWG1.0-100-3PK	PWG1.0-100-4PK	100	57.5	100	102	103	14	40	65
PWG1.0-105-1PK	PWG1.0-105-2PK	PWG1.0-105-3PK	PWG1.0-105-4PK	105	60.0	105	107	108	14	40	65
PWG1.0-110-1PK	PWG1.0-110-2PK	PWG1.0-110-3PK	PWG1.0-110-4PK	110	62.5	110	112	113	14	40	65
PWG1.0-115-1PK	PWG1.0-115-2PK	PWG1.0-115-3PK	PWG1.0-115-4PK	115	65.0	115	117	118	14	40	65
PWG1.0-120-1PK	PWG1.0-120-2PK	PWG1.0-120-3PK	PWG1.0-120-4PK	120	67.5	120	122	123	14	40	65
PWG1.0-125-1PK	PWG1.0-125-2PK	PWG1.0-125-3PK	PWG1.0-125-4PK	125	70.0	125	127	128	14	40	65

PWG-PK
1.0m_x

PRECISION GEARS

1.0 Module PEEK® Wormwheel α 20° PA

Quality Grade Wormwheel 8e25 DIN 3974/3967

Standard Part **PWG 1.0-50 1**

Modified Part **PWG 1.0-50 3 PK 12 K T**

PWG - Precision Worm Gear
Quality Grade 8e DIN 3974/3967
Other Quality Grades available.
See Technical

m_x Module - Cut with DIN 867 1.25/0.20/1.0
Ref. Tooth Profile Topping WD = 2.25 x m_x

Number of Teeth **z**

Number of Starts on Worm
Ratio = $\frac{(z_2)}{(z_1)}$ No. of teeth on wheel
 $\frac{(z_1)}{(z_2)}$ No. of starts on worm

T = 1 x Tapped hole **2T** = 2 x Tapped holes
P = 1 x Pin Hole **PT** = 1 x Pin Hole through
All threads metric as standard.
See Technical

K - Keyway supplied to
DIN 6885 - Js9 tolerance.
See Technical

To specify different bore enter size required
Example: 12 = 12mm H7 etc
See Technical

Material: PEEK GF30® (light brown).

Material: PEEK GF30® (light brown), RH lead angle.

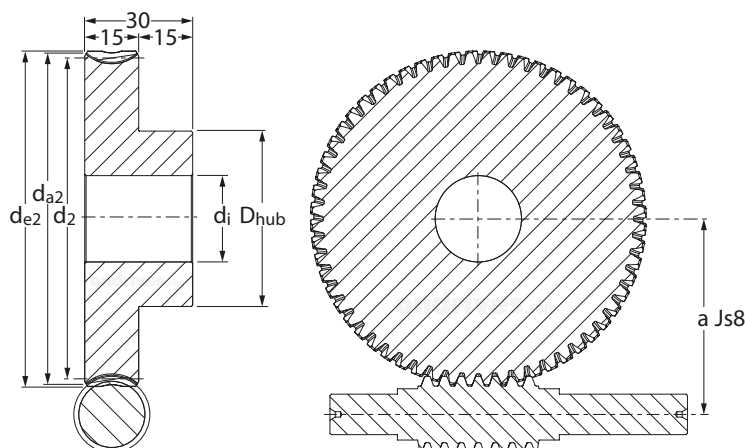
Part Number 1 Start	Backlash (mm) j _{t,e} (max) j _{t,i} (min)	Torque T ₂ Nm n ₂ 100 Rpm	Part Number 2 Start	Backlash (mm) j _{t,e} (max) j _{t,i} (min)	Torque T ₂ Nm n ₂ 100 Rpm	Part Number 3 Start	Backlash (mm) j _{t,e} (max) j _{t,i} (min)	Torque T ₂ Nm n ₂ 100 Rpm	Part Number 4 Start	Backlash (mm) j _{t,e} (max) j _{t,i} (min)	Torque T ₂ Nm n ₂ 100 Rpm
PWG1.0-15-1PK	0.112 - 0.042	1.23	PWG1.0-15-2PK	0.113 - 0.043	1.27	PWG1.0-15-3PK	0.114 - 0.043	1.35	PWG1.0-15-4PK	0.116 - 0.044	1.47
PWG1.0-16-1PK	0.112 - 0.042	1.38	PWG1.0-16-2PK	0.113 - 0.043	1.43	PWG1.0-16-3PK	0.114 - 0.043	1.51	PWG1.0-16-4PK	0.116 - 0.044	1.65
PWG1.0-17-1PK	0.112 - 0.042	1.54	PWG1.0-17-2PK	0.113 - 0.043	1.59	PWG1.0-17-3PK	0.114 - 0.043	1.69	PWG1.0-17-4PK	0.116 - 0.044	1.84
PWG1.0-18-1PK	0.112 - 0.042	1.71	PWG1.0-18-2PK	0.113 - 0.043	1.77	PWG1.0-18-3PK	0.114 - 0.043	1.87	PWG1.0-18-4PK	0.116 - 0.044	2.04
PWG1.0-19-1PK	0.112 - 0.042	1.89	PWG1.0-19-2PK	0.113 - 0.043	1.95	PWG1.0-19-3PK	0.114 - 0.043	2.06	PWG1.0-19-4PK	0.116 - 0.044	2.25
PWG1.0-20-1PK	0.112 - 0.042	2.07	PWG1.0-20-2PK	0.113 - 0.043	2.13	PWG1.0-20-3PK	0.114 - 0.043	2.26	PWG1.0-20-4PK	0.116 - 0.044	2.46
PWG1.0-21-1PK	0.112 - 0.042	2.26	PWG1.0-21-2PK	0.113 - 0.043	2.33	PWG1.0-21-3PK	0.114 - 0.043	2.47	PWG1.0-21-4PK	0.116 - 0.044	2.69
PWG1.0-22-1PK	0.114 - 0.040	2.46	PWG1.0-22-2PK	0.115 - 0.041	2.53	PWG1.0-22-3PK	0.116 - 0.041	2.69	PWG1.0-22-4PK	0.118 - 0.042	2.92
PWG1.0-23-1PK	0.114 - 0.040	2.66	PWG1.0-23-2PK	0.115 - 0.041	2.74	PWG1.0-23-3PK	0.116 - 0.041	2.91	PWG1.0-23-4PK	0.118 - 0.042	3.17
PWG1.0-24-1PK	0.114 - 0.040	2.87	PWG1.0-24-2PK	0.115 - 0.041	2.96	PWG1.0-24-3PK	0.116 - 0.041	3.14	PWG1.0-24-4PK	0.118 - 0.042	3.42
PWG1.0-25-1PK	0.114 - 0.040	3.09	PWG1.0-25-2PK	0.115 - 0.041	3.19	PWG1.0-25-3PK	0.116 - 0.041	3.38	PWG1.0-25-4PK	0.118 - 0.042	3.68
PWG1.0-26-1PK	0.114 - 0.040	3.32	PWG1.0-26-2PK	0.115 - 0.041	3.42	PWG1.0-26-3PK	0.116 - 0.041	3.63	PWG1.0-26-4PK	0.118 - 0.042	3.95
PWG1.0-27-1PK	0.114 - 0.040	3.55	PWG1.0-27-2PK	0.115 - 0.041	3.66	PWG1.0-27-3PK	0.116 - 0.041	3.88	PWG1.0-27-4PK	0.118 - 0.042	4.23
PWG1.0-28-1PK	0.114 - 0.040	3.79	PWG1.0-28-2PK	0.115 - 0.041	3.91	PWG1.0-28-3PK	0.116 - 0.041	4.15	PWG1.0-28-4PK	0.118 - 0.042	4.51
PWG1.0-29-1PK	0.114 - 0.040	4.04	PWG1.0-29-2PK	0.115 - 0.041	4.17	PWG1.0-29-3PK	0.116 - 0.041	4.42	PWG1.0-29-4PK	0.118 - 0.042	4.81
PWG1.0-30-1PK	0.114 - 0.040	4.29	PWG1.0-30-2PK	0.115 - 0.041	4.43	PWG1.0-30-3PK	0.116 - 0.041	4.69	PWG1.0-30-4PK	0.118 - 0.042	5.11
PWG1.0-32-1PK	0.114 - 0.040	4.82	PWG1.0-32-2PK	0.115 - 0.041	4.97	PWG1.0-32-3PK	0.116 - 0.041	5.27	PWG1.0-32-4PK	0.118 - 0.042	5.74
PWG1.0-35-1PK	0.114 - 0.040	5.66	PWG1.0-35-2PK	0.115 - 0.041	5.84	PWG1.0-35-3PK	0.116 - 0.041	6.20	PWG1.0-35-4PK	0.118 - 0.042	6.75
PWG1.0-38-1PK	0.114 - 0.040	6.57	PWG1.0-38-2PK	0.115 - 0.041	6.78	PWG1.0-38-3PK	0.116 - 0.041	7.18	PWG1.0-38-4PK	0.118 - 0.042	7.82
PWG1.0-40-1PK	0.114 - 0.040	7.20	PWG1.0-40-2PK	0.115 - 0.041	7.43	PWG1.0-40-3PK	0.116 - 0.041	7.88	PWG1.0-40-4PK	0.118 - 0.042	8.58
PWG1.0-42-1PK	0.114 - 0.040	7.86	PWG1.0-42-2PK	0.115 - 0.041	8.11	PWG1.0-42-3PK	0.116 - 0.041	8.60	PWG1.0-42-4PK	0.118 - 0.042	9.37
PWG1.0-45-1PK	0.114 - 0.040	8.90	PWG1.0-45-2PK	0.115 - 0.041	9.19	PWG1.0-45-3PK	0.116 - 0.041	9.74	PWG1.0-45-4PK	0.118 - 0.042	10.60
PWG1.0-48-1PK	0.116 - 0.038	10.00	PWG1.0-48-2PK	0.117 - 0.038	10.32	PWG1.0-48-3PK	0.118 - 0.039	10.94	PWG1.0-48-4PK	0.120 - 0.039	11.91
PWG1.0-50-1PK	0.116 - 0.038	10.76	PWG1.0-50-2PK	0.117 - 0.038	11.10	PWG1.0-50-3PK	0.118 - 0.039	11.77	PWG1.0-50-4PK	0.120 - 0.039	12.82
PWG1.0-52-1PK	0.136 - 0.048	11.55	PWG1.0-52-2PK	0.137 - 0.048	11.92	PWG1.0-52-3PK	0.139 - 0.049	12.64	PWG1.0-52-4PK	0.141 - 0.049	13.76
PWG1.0-55-1PK	0.136 - 0.048	12.78	PWG1.0-55-2PK	0.137 - 0.048	13.18	PWG1.0-55-3PK	0.139 - 0.049	13.98	PWG1.0-55-4PK	0.141 - 0.049	15.22
PWG1.0-58-1PK	0.136 - 0.048	14.06	PWG1.0-58-2PK	0.137 - 0.048	14.51	PWG1.0-58-3PK	0.139 - 0.049	15.38	PWG1.0-58-4PK	0.141 - 0.049	16.74
PWG1.0-60-1PK	0.136 - 0.048	14.94	PWG1.0-60-2PK	0.137 - 0.048	15.42	PWG1.0-60-3PK	0.139 - 0.049	16.35	PWG1.0-60-4PK	0.141 - 0.049	17.80
PWG1.0-62-1PK	0.136 - 0.048	15.85	PWG1.0-62-2PK	0.137 - 0.048	16.36	PWG1.0-62-3PK	0.139 - 0.049	17.34	PWG1.0-62-4PK	0.141 - 0.049	18.88
PWG1.0-65-1PK	0.136 - 0.048	17.26	PWG1.0-65-2PK	0.137 - 0.048	17.81	PWG1.0-65-3PK	0.139 - 0.049	18.88	PWG1.0-65-4PK	0.141 - 0.049	20.56
PWG1.0-68-1PK	0.136 - 0.048	18.72	PWG1.0-68-2PK	0.137 - 0.048	19.31	PWG1.0-68-3PK	0.139 - 0.049	20.48	PWG1.0-68-4PK	0.141 - 0.049	22.30
PWG1.0-70-1PK	0.136 - 0.048	19.72	PWG1.0-70-2PK	0.137 - 0.048	20.35	PWG1.0-70-3PK	0.139 - 0.049	21.58	PWG1.0-70-4PK	0.141 - 0.049	23.49
PWG1.0-72-1PK	0.136 - 0.048	20.75	PWG1.0-72-2PK	0.137 - 0.048	21.41	PWG1.0-72-3PK	0.139 - 0.049	22.70	PWG1.0-72-4PK	0.141 - 0.049	24.71
PWG1.0-75-1PK	0.136 - 0.048	22.33	PWG1.0-75-2PK	0.137 - 0.048	23.04	PWG1.0-75-3PK	0.139 - 0.049	24.43	PWG1.0-75-4PK	0.141 - 0.049	26.60
PWG1.0-78-1PK	0.136 - 0.048	23.96	PWG1.0-78-2PK	0.137 - 0.048	24.72	PWG1.0-78-3PK	0.139 - 0.049	26.21	PWG1.0-78-4PK	0.141 - 0.049	28.20
PWG1.0-80-1PK	0.136 - 0.048	25.08	PWG1.0-80-2PK	0.137 - 0.048	25.88	PWG1.0-80-3PK	0.139 - 0.049	27.44	PWG1.0-80-4PK	0.141 - 0.049	29.00
PWG1.0-82-1PK	0.136 - 0.048	26.22	PWG1.0-82-2PK	0.137 - 0.048	27.05	PWG1.0-82-3PK	0.139 - 0.049	28.68	PWG1.0-82-4PK	0.141 - 0.049	29.80
PWG1.0-85-1PK	0.136 - 0.048	27.97	PWG1.0-85-2PK	0.137 - 0.048	28.86	PWG1.0-85-3PK	0.139 - 0.049	30.60	PWG1.0-85-4PK	0.141 - 0.049	31.01
PWG1.0-90-1PK	0.139 - 0.045	31.00	PWG1.0-90-2PK	0.140 - 0.046	31.99	PWG1.0-90-3PK	0.141 - 0.046	33.92	PWG1.0-90-4PK	0.144 - 0.047	33.03
PWG1.0-95-1PK	0.139 - 0.045	34.17	PWG1.0-95-2PK	0.140 - 0.046	35.26	PWG1.0-95-3PK	0.141 - 0.046	36.63	PWG1.0-95-4PK	0.144 - 0.047	35.06
PWG1.0-100-1PK	0.139 - 0.045	37.47	PWG1.0-100-2PK	0.140 - 0.046	38.67	PWG1.0-100-3PK	0.141 - 0.046	38.76	PWG1.0-100-4PK	0.144 - 0.047	37.10
PWG1.0-105-1PK	0.139 - 0.045	40.91	PWG1.0-105-2PK	0.140 - 0.046	41.16	PWG1.0-105-3PK	0.141 - 0.046	40.79	PWG1.0-105-4PK	0.144 - 0.047	39.15
PWG1.0-110-1PK	0.139 - 0.045	44.49	PWG1.0-110-2PK	0.140 - 0.046	43.31	PWG1.0-110-3PK	0.141 - 0.046	42.73	PWG1.0-110-4PK	0.144 - 0.047	41.21
PWG1.0-115-1PK	0.139 - 0.045	48.19	PWG1.0-115-2PK	0.140 - 0.046	45.46	PWG1.0-115-3PK	0.141 - 0.046	44.67	PWG1.0-115-4PK	0.144 - 0.047	43.27
PWG1.0-120-1PK	0.139 - 0.045	50.83	PWG1.0-120-2PK	0.140 - 0.046	47.61	PWG1.0-120-3PK	0.141 - 0.046	46.62	PWG1.0-120-4PK	0.144 - 0.047	45.35
PWG1.0-125-1PK	0.139 - 0.045	53.14	PWG1.0-125-2PK	0.140 - 0.046	49.78	PWG1.0-125-3PK	0.141 - 0.046	48.56	PWG1.0-125-4PK	0.144 - 0.047	47.43

PWG-DL 1.5m_x

PRECISION GEARS

1.5 Module Delrin Wormwheel α 20° PA

Quality Grade Wormwheel 8e25 DIN 3974/3967



DIN 3967 Tooth Thickness tol.

Part Number				No. of Teeth z_2	Centre Distance a	Ref. Dia. d_2	Wheel Throat d_{a2}	Tip Dia. d_{e2}	Bore Dia. H7 d_j	Max. Bore Dia. H7 d_j	Hub Dia. D_{hub}
1 Start	2 Start	3 Start	4 Start								
PWG1.5-15-1DL	PWG1.5-15-2DL	PWG1.5-15-3DL	PWG1.5-15-4DL	15	21.25	22.5	25.5	27.0	6	10	20
PWG1.5-16-1DL	PWG1.5-16-2DL	PWG1.5-16-3DL	PWG1.5-16-4DL	16	22.00	24.0	27.0	28.5	6	10	20
PWG1.5-17-1DL	PWG1.5-17-2DL	PWG1.5-17-3DL	PWG1.5-17-4DL	17	22.75	25.5	28.5	30.0	6	10	20
PWG1.5-18-1DL	PWG1.5-18-2DL	PWG1.5-18-3DL	PWG1.5-18-4DL	18	23.50	27.0	30.0	31.5	6	10	20
PWG1.5-19-1DL	PWG1.5-19-2DL	PWG1.5-19-3DL	PWG1.5-19-4DL	19	24.25	28.5	31.5	33.0	6	10	20
PWG1.5-20-1DL	PWG1.5-20-2DL	PWG1.5-20-3DL	PWG1.5-20-4DL	20	25.00	30.0	33.0	34.5	6	10	20
PWG1.5-21-1DL	PWG1.5-21-2DL	PWG1.5-21-3DL	PWG1.5-21-4DL	21	25.75	31.5	34.5	36.0	8	14	25
PWG1.5-22-1DL	PWG1.5-22-2DL	PWG1.5-22-3DL	PWG1.5-22-4DL	22	26.50	33.0	36.0	37.5	8	14	25
PWG1.5-23-1DL	PWG1.5-23-2DL	PWG1.5-23-3DL	PWG1.5-23-4DL	23	27.25	34.5	37.5	39.0	8	14	25
PWG1.5-24-1DL	PWG1.5-24-2DL	PWG1.5-24-3DL	PWG1.5-24-4DL	24	28.00	36.0	39.0	40.5	8	14	25
PWG1.5-25-1DL	PWG1.5-25-2DL	PWG1.5-25-3DL	PWG1.5-25-4DL	25	28.75	37.5	40.5	42.0	8	14	25
PWG1.5-26-1DL	PWG1.5-26-2DL	PWG1.5-26-3DL	PWG1.5-26-4DL	26	29.50	39.0	42.0	43.5	8	14	25
PWG1.5-27-1DL	PWG1.5-27-2DL	PWG1.5-27-3DL	PWG1.5-27-4DL	27	30.25	40.5	43.5	45.0	8	14	25
PWG1.5-28-1DL	PWG1.5-28-2DL	PWG1.5-28-3DL	PWG1.5-28-4DL	28	31.00	42.0	45.0	46.5	8	14	25
PWG1.5-29-1DL	PWG1.5-29-2DL	PWG1.5-29-3DL	PWG1.5-29-4DL	29	31.75	43.5	46.5	48.0	10	20	35
PWG1.5-30-1DL	PWG1.5-30-2DL	PWG1.5-30-3DL	PWG1.5-30-4DL	30	32.50	45.0	48.0	49.5	10	20	35
PWG1.5-32-1DL	PWG1.5-32-2DL	PWG1.5-32-3DL	PWG1.5-32-4DL	32	34.00	48.0	51.0	52.5	10	20	35
PWG1.5-35-1DL	PWG1.5-35-2DL	PWG1.5-35-3DL	PWG1.5-35-4DL	35	36.25	52.5	55.5	57.0	10	20	35
PWG1.5-38-1DL	PWG1.5-38-2DL	PWG1.5-38-3DL	PWG1.5-38-4DL	38	38.50	57.0	60.0	61.5	12	25	45
PWG1.5-40-1DL	PWG1.5-40-2DL	PWG1.5-40-3DL	PWG1.5-40-4DL	40	40.00	60.0	63.0	64.5	12	25	45
PWG1.5-42-1DL	PWG1.5-42-2DL	PWG1.5-42-3DL	PWG1.5-42-4DL	42	41.50	63.0	66.0	67.5	12	25	45
PWG1.5-45-1DL	PWG1.5-45-2DL	PWG1.5-45-3DL	PWG1.5-45-4DL	45	43.75	67.5	70.5	72.0	12	25	45
PWG1.5-48-1DL	PWG1.5-48-2DL	PWG1.5-48-3DL	PWG1.5-48-4DL	48	46.00	72.0	75.0	76.5	12	25	45
PWG1.5-50-1DL	PWG1.5-50-2DL	PWG1.5-50-3DL	PWG1.5-50-4DL	50	47.50	75.0	78.0	79.5	14	35	55
PWG1.5-52-1DL	PWG1.5-52-2DL	PWG1.5-52-3DL	PWG1.5-52-4DL	52	49.00	78.0	81.0	82.5	14	35	55
PWG1.5-55-1DL	PWG1.5-55-2DL	PWG1.5-55-3DL	PWG1.5-55-4DL	55	51.25	82.5	85.5	87.0	14	35	55
PWG1.5-58-1DL	PWG1.5-58-2DL	PWG1.5-58-3DL	PWG1.5-58-4DL	58	53.50	87.0	90.0	91.5	14	35	55
PWG1.5-60-1DL	PWG1.5-60-2DL	PWG1.5-60-3DL	PWG1.5-60-4DL	60	55.00	90.0	93.0	94.5	14	35	55
PWG1.5-62-1DL	PWG1.5-62-2DL	PWG1.5-62-3DL	PWG1.5-62-4DL	62	56.50	93.0	96.0	97.5	14	35	55
PWG1.5-65-1DL	PWG1.5-65-2DL	PWG1.5-65-3DL	PWG1.5-65-4DL	65	58.75	97.5	100.5	102.0	14	35	55
PWG1.5-68-1DL	PWG1.5-68-2DL	PWG1.5-68-3DL	PWG1.5-68-4DL	68	61.00	102.0	105.0	106.5	16	40	65
PWG1.5-70-1DL	PWG1.5-70-2DL	PWG1.5-70-3DL	PWG1.5-70-4DL	70	62.50	105.0	108.0	109.5	16	40	65
PWG1.5-72-1DL	PWG1.5-72-2DL	PWG1.5-72-3DL	PWG1.5-72-4DL	72	64.00	108.0	111.0	112.5	16	40	65
PWG1.5-75-1DL	PWG1.5-75-2DL	PWG1.5-75-3DL	PWG1.5-75-4DL	75	66.25	112.5	115.5	117.0	16	40	65
PWG1.5-78-1DL	PWG1.5-78-2DL	PWG1.5-78-3DL	PWG1.5-78-4DL	78	68.50	117.0	120.0	121.5	16	40	65
PWG1.5-80-1DL	PWG1.5-80-2DL	PWG1.5-80-3DL	PWG1.5-80-4DL	80	70.00	120.0	123.0	124.5	16	40	65
PWG1.5-82-1DL	PWG1.5-82-2DL	PWG1.5-82-3DL	PWG1.5-82-4DL	82	71.50	123.0	126.0	127.5	16	40	65

PWG-DL 1.5m_x

PRECISION GEARS

1.5 Module Delrin Wormwheel α 20° PA

Quality Grade Wormwheel 8e25 DIN 3974/3967

Standard Part **PWG 1.5 50 1**

Modified Part **PWG 1.5 50 3 DL 20 K T**

PWG - Precision Worm Gear
Quality Grade 8e DIN 3974/3967
Other Quality Grades available.
See Technical

m_x Module - Cut with DIN 867 1.25/0.20/1.0
Ref. Tooth Profile Topping WD = 2.25 x m_x

Number of Teeth **z**

Number of Starts on Worm
Ratio = $\frac{(z_2)}{(z_1)}$ No. of teeth on wheel
No. of starts on worm

T = 1 x Tapped hole **2T** = 2 x Tapped holes
P = 1 x Pin Hole **PT** = 1 x Pin Hole through
All threads metric as standard.
See Technical

K - Keyway supplied to
DIN 6885 - Js9 tolerance.
See Technical

To specify different bore enter size required
Example: 20 = 20mm H7 etc
See Technical

Material: Delrin POM (white).

Material: Delrin POM (white). RH lead angle.

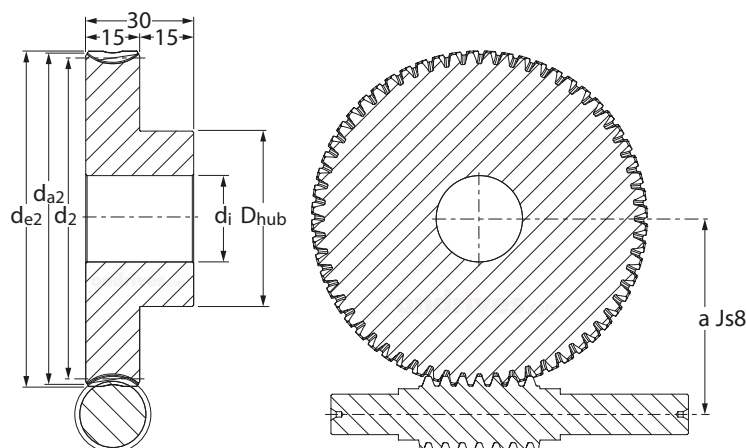
Part Number 1 Start	Backlash (mm) j _{t,e} (max) j _{t,i} (min)	Torque T ₂ Nm n ₂ 100 Rpm	Part Number 2 Start	Backlash (mm) j _{t,e} (max) j _{t,i} (min)	Torque T ₂ Nm n ₂ 100 Rpm	Part Number 3 Start	Backlash (mm) j _{t,e} (max) j _{t,i} (min)	Torque T ₂ Nm n ₂ 100 Rpm	Part Number 4 Start	Backlash (mm) j _{t,e} (max) j _{t,i} (min)	Torque T ₂ Nm n ₂ 100 Rpm
PWG1.5-15-1DL	0.114 - 0.040	2.65	PWG1.5-15-2DL	0.115 - 0.040	2.59	PWG1.5-15-3DL	0.117 - 0.041	2.63	PWG1.5-15-4DL	0.119 - 0.042	2.81
PWG1.5-16-1DL	0.114 - 0.040	2.97	PWG1.5-16-2DL	0.115 - 0.040	2.91	PWG1.5-16-3DL	0.117 - 0.041	2.95	PWG1.5-16-4DL	0.119 - 0.042	3.16
PWG1.5-17-1DL	0.114 - 0.040	3.32	PWG1.5-17-2DL	0.115 - 0.040	3.24	PWG1.5-17-3DL	0.117 - 0.041	3.35	PWG1.5-17-4DL	0.119 - 0.042	3.52
PWG1.5-18-1DL	0.114 - 0.040	3.68	PWG1.5-18-2DL	0.115 - 0.040	3.59	PWG1.5-18-3DL	0.117 - 0.041	3.72	PWG1.5-18-4DL	0.119 - 0.042	3.91
PWG1.5-19-1DL	0.114 - 0.040	4.05	PWG1.5-19-2DL	0.115 - 0.040	4.03	PWG1.5-19-3DL	0.117 - 0.041	4.10	PWG1.5-19-4DL	0.119 - 0.042	4.35
PWG1.5-20-1DL	0.114 - 0.040	4.44	PWG1.5-20-2DL	0.115 - 0.040	4.42	PWG1.5-20-3DL	0.117 - 0.041	4.58	PWG1.5-20-4DL	0.119 - 0.042	4.77
PWG1.5-21-1DL	0.114 - 0.040	4.85	PWG1.5-21-2DL	0.115 - 0.040	4.83	PWG1.5-21-3DL	0.117 - 0.041	5.00	PWG1.5-21-4DL	0.119 - 0.042	5.20
PWG1.5-22-1DL	0.114 - 0.040	5.36	PWG1.5-22-2DL	0.115 - 0.040	5.25	PWG1.5-22-3DL	0.117 - 0.041	5.43	PWG1.5-22-4DL	0.119 - 0.042	5.71
PWG1.5-23-1DL	0.114 - 0.040	5.81	PWG1.5-23-2DL	0.115 - 0.040	5.79	PWG1.5-23-3DL	0.117 - 0.041	5.99	PWG1.5-23-4DL	0.119 - 0.042	6.19
PWG1.5-24-1DL	0.114 - 0.040	6.27	PWG1.5-24-2DL	0.115 - 0.040	6.25	PWG1.5-24-3DL	0.117 - 0.041	6.47	PWG1.5-24-4DL	0.119 - 0.042	6.68
PWG1.5-25-1DL	0.114 - 0.040	6.86	PWG1.5-25-2DL	0.115 - 0.040	6.72	PWG1.5-25-3DL	0.117 - 0.041	6.97	PWG1.5-25-4DL	0.119 - 0.042	7.33
PWG1.5-26-1DL	0.114 - 0.040	7.36	PWG1.5-26-2DL	0.115 - 0.040	7.22	PWG1.5-26-3DL	0.117 - 0.041	7.61	PWG1.5-26-4DL	0.119 - 0.042	7.86
PWG1.5-27-1DL	0.117 - 0.038	7.94	PWG1.5-27-2DL	0.117 - 0.038	7.86	PWG1.5-27-3DL	0.119 - 0.039	8.15	PWG1.5-27-4DL	0.121 - 0.039	8.42
PWG1.5-28-1DL	0.117 - 0.038	8.48	PWG1.5-28-2DL	0.117 - 0.038	8.39	PWG1.5-28-3DL	0.119 - 0.039	8.70	PWG1.5-28-4DL	0.121 - 0.039	8.98
PWG1.5-29-1DL	0.117 - 0.038	9.03	PWG1.5-29-2DL	0.117 - 0.038	8.93	PWG1.5-29-3DL	0.119 - 0.039	9.26	PWG1.5-29-4DL	0.121 - 0.039	9.75
PWG1.5-30-1DL	0.117 - 0.038	9.68	PWG1.5-30-2DL	0.117 - 0.038	9.66	PWG1.5-30-3DL	0.119 - 0.039	9.85	PWG1.5-30-4DL	0.121 - 0.039	10.36
PWG1.5-32-1DL	0.117 - 0.038	10.87	PWG1.5-32-2DL	0.117 - 0.038	10.85	PWG1.5-32-3DL	0.119 - 0.039	11.26	PWG1.5-32-4DL	0.121 - 0.039	11.85
PWG1.5-35-1DL	0.137 - 0.048	12.77	PWG1.5-35-2DL	0.138 - 0.048	12.75	PWG1.5-35-3DL	0.140 - 0.049	13.23	PWG1.5-35-4DL	0.142 - 0.050	13.92
PWG1.5-38-1DL	0.137 - 0.048	14.81	PWG1.5-38-2DL	0.138 - 0.048	14.78	PWG1.5-38-3DL	0.140 - 0.049	15.61	PWG1.5-38-4DL	0.142 - 0.050	16.14
PWG1.5-40-1DL	0.137 - 0.048	16.25	PWG1.5-40-2DL	0.138 - 0.048	16.21	PWG1.5-40-3DL	0.140 - 0.049	17.12	PWG1.5-40-4DL	0.142 - 0.050	18.02
PWG1.5-42-1DL	0.137 - 0.048	18.02	PWG1.5-42-2DL	0.138 - 0.048	17.70	PWG1.5-42-3DL	0.140 - 0.049	18.69	PWG1.5-42-4DL	0.142 - 0.050	19.68
PWG1.5-45-1DL	0.137 - 0.048	20.40	PWG1.5-45-2DL	0.138 - 0.048	20.37	PWG1.5-45-3DL	0.140 - 0.049	21.52	PWG1.5-45-4DL	0.142 - 0.050	22.28
PWG1.5-48-1DL	0.137 - 0.048	22.91	PWG1.5-48-2DL	0.138 - 0.048	22.88	PWG1.5-48-3DL	0.140 - 0.049	24.17	PWG1.5-48-4DL	0.142 - 0.050	25.02
PWG1.5-50-1DL	0.137 - 0.048	25.05	PWG1.5-50-2DL	0.138 - 0.048	25.03	PWG1.5-50-3DL	0.140 - 0.049	26.02	PWG1.5-50-4DL	0.142 - 0.050	27.40
PWG1.5-52-1DL	0.137 - 0.048	26.88	PWG1.5-52-2DL	0.138 - 0.048	26.86	PWG1.5-52-3DL	0.140 - 0.049	27.92	PWG1.5-52-4DL	0.142 - 0.050	29.41
PWG1.5-55-1DL	0.139 - 0.045	29.73	PWG1.5-55-2DL	0.140 - 0.046	29.95	PWG1.5-55-3DL	0.142 - 0.046	30.89	PWG1.5-55-4DL	0.145 - 0.047	32.53
PWG1.5-58-1DL	0.139 - 0.045	32.72	PWG1.5-58-2DL	0.140 - 0.046	32.96	PWG1.5-58-3DL	0.142 - 0.046	34.56	PWG1.5-58-4DL	0.145 - 0.047	36.41
PWG1.5-60-1DL	0.139 - 0.045	34.77	PWG1.5-60-2DL	0.140 - 0.046	35.31	PWG1.5-60-3DL	0.142 - 0.046	36.74	PWG1.5-60-4DL	0.145 - 0.047	38.70
PWG1.5-62-1DL	0.139 - 0.045	36.89	PWG1.5-62-2DL	0.140 - 0.046	37.46	PWG1.5-62-3DL	0.142 - 0.046	38.97	PWG1.5-62-4DL	0.145 - 0.047	41.06
PWG1.5-65-1DL	0.139 - 0.045	41.71	PWG1.5-65-2DL	0.140 - 0.046	40.78	PWG1.5-65-3DL	0.142 - 0.046	42.43	PWG1.5-65-4DL	0.145 - 0.047	44.70
PWG1.5-68-1DL	0.139 - 0.045	45.24	PWG1.5-68-2DL	0.140 - 0.046	44.23	PWG1.5-68-3DL	0.142 - 0.046	46.02	PWG1.5-68-4DL	0.145 - 0.047	48.48
PWG1.5-70-1DL	0.139 - 0.045	47.66	PWG1.5-70-2DL	0.140 - 0.046	46.60	PWG1.5-70-3DL	0.142 - 0.046	48.48	PWG1.5-70-4DL	0.145 - 0.047	51.08
PWG1.5-72-1DL	0.139 - 0.045	50.14	PWG1.5-72-2DL	0.140 - 0.046	49.02	PWG1.5-72-3DL	0.142 - 0.046	51.01	PWG1.5-72-4DL	0.145 - 0.047	53.74
PWG1.5-75-1DL	0.139 - 0.045	53.96	PWG1.5-75-2DL	0.140 - 0.046	52.76	PWG1.5-75-3DL	0.142 - 0.046	55.81	PWG1.5-75-4DL	0.145 - 0.047	58.82
PWG1.5-78-1DL	0.139 - 0.045	57.91	PWG1.5-78-2DL	0.140 - 0.046	56.62	PWG1.5-78-3DL	0.142 - 0.046	59.89	PWG1.5-78-4DL	0.145 - 0.047	63.12
PWG1.5-80-1DL	0.139 - 0.045	60.66	PWG1.5-80-2DL	0.140 - 0.046	59.26	PWG1.5-80-3DL	0.142 - 0.046	62.68	PWG1.5-80-4DL	0.145 - 0.047	66.06
PWG1.5-82-1DL	0.139 - 0.045	63.42	PWG1.5-82-2DL	0.140 - 0.046	61.96	PWG1.5-82-3DL	0.142 - 0.046	65.53	PWG1.5-82-4DL	0.145 - 0.047	69.06

PWG-PK 1.5m_x

PRECISION GEARS

1.5 Module PEEK® Wormwheel α 20° PA

Quality Grade Wormwheel 8e25 DIN 3974/3967



DIN 3967 Tooth Thickness tol.

Part Number				No. of Teeth z ₂	Centre Distance a	Ref. Dia. d ₂	Wheel Throat d _{a2}	Tip Dia. d _{e2}	Bore Dia. H7 d _j	Max. Bore Dia. H7 d _j	Hub Dia. D _{hub}
1 Start	2 Start	3 Start	4 Start								
PWG1.5-15-1PK	PWG1.5-15-2PK	PWG1.5-15-3PK	PWG1.5-15-4PK	15	21.25	22.5	25.5	27.0	6	10	20
PWG1.5-16-1PK	PWG1.5-16-2PK	PWG1.5-16-3PK	PWG1.5-16-4PK	16	22.00	24.0	27.0	28.5	6	10	20
PWG1.5-17-1PK	PWG1.5-17-2PK	PWG1.5-17-3PK	PWG1.5-17-4PK	17	22.75	25.5	28.5	30.0	6	10	20
PWG1.5-18-1PK	PWG1.5-18-2PK	PWG1.5-18-3PK	PWG1.5-18-4PK	18	23.50	27.0	30.0	31.5	6	10	20
PWG1.5-19-1PK	PWG1.5-19-2PK	PWG1.5-19-3PK	PWG1.5-19-4PK	19	24.25	28.5	31.5	33.0	6	10	20
PWG1.5-20-1PK	PWG1.5-20-2PK	PWG1.5-20-3PK	PWG1.5-20-4PK	20	25.00	30.0	33.0	34.5	6	10	20
PWG1.5-21-1PK	PWG1.5-21-2PK	PWG1.5-21-3PK	PWG1.5-21-4PK	21	25.75	31.5	34.5	36.0	8	14	25
PWG1.5-22-1PK	PWG1.5-22-2PK	PWG1.5-22-3PK	PWG1.5-22-4PK	22	26.50	33.0	36.0	37.5	8	14	25
PWG1.5-23-1PK	PWG1.5-23-2PK	PWG1.5-23-3PK	PWG1.5-23-4PK	23	27.25	34.5	37.5	39.0	8	14	25
PWG1.5-24-1PK	PWG1.5-24-2PK	PWG1.5-24-3PK	PWG1.5-24-4PK	24	28.00	36.0	39.0	40.5	8	14	25
PWG1.5-25-1PK	PWG1.5-25-2PK	PWG1.5-25-3PK	PWG1.5-25-4PK	25	28.75	37.5	40.5	42.0	8	14	25
PWG1.5-26-1PK	PWG1.5-26-2PK	PWG1.5-26-3PK	PWG1.5-26-4PK	26	29.50	39.0	42.0	43.5	8	14	25
PWG1.5-27-1PK	PWG1.5-27-2PK	PWG1.5-27-3PK	PWG1.5-27-4PK	27	30.25	40.5	43.5	45.0	8	14	25
PWG1.5-28-1PK	PWG1.5-28-2PK	PWG1.5-28-3PK	PWG1.5-28-4PK	28	31.00	42.0	45.0	46.5	8	14	25
PWG1.5-29-1PK	PWG1.5-29-2PK	PWG1.5-29-3PK	PWG1.5-29-4PK	29	31.75	43.5	46.5	48.0	10	20	35
PWG1.5-30-1PK	PWG1.5-30-2PK	PWG1.5-30-3PK	PWG1.5-30-4PK	30	32.50	45.0	48.0	49.5	10	20	35
PWG1.5-32-1PK	PWG1.5-32-2PK	PWG1.5-32-3PK	PWG1.5-32-4PK	32	34.00	48.0	51.0	52.5	10	20	35
PWG1.5-35-1PK	PWG1.5-35-2PK	PWG1.5-35-3PK	PWG1.5-35-4PK	35	36.25	52.5	55.5	57.0	10	20	35
PWG1.5-38-1PK	PWG1.5-38-2PK	PWG1.5-38-3PK	PWG1.5-38-4PK	38	38.50	57.0	60.0	61.5	12	25	45
PWG1.5-40-1PK	PWG1.5-40-2PK	PWG1.5-40-3PK	PWG1.5-40-4PK	40	40.00	60.0	63.0	64.5	12	25	45
PWG1.5-42-1PK	PWG1.5-42-2PK	PWG1.5-42-3PK	PWG1.5-42-4PK	42	41.50	63.0	66.0	67.5	12	25	45
PWG1.5-45-1PK	PWG1.5-45-2PK	PWG1.5-45-3PK	PWG1.5-45-4PK	45	43.75	67.5	70.5	72.0	12	25	45
PWG1.5-48-1PK	PWG1.5-48-2PK	PWG1.5-48-3PK	PWG1.5-48-4PK	48	46.00	72.0	75.0	76.5	12	25	45
PWG1.5-50-1PK	PWG1.5-50-2PK	PWG1.5-50-3PK	PWG1.5-50-4PK	50	47.50	75.0	78.0	79.5	14	35	55
PWG1.5-52-1PK	PWG1.5-52-2PK	PWG1.5-52-3PK	PWG1.5-52-4PK	52	49.00	78.0	81.0	82.5	14	35	55
PWG1.5-55-1PK	PWG1.5-55-2PK	PWG1.5-55-3PK	PWG1.5-55-4PK	55	51.25	82.5	85.5	87.0	14	35	55
PWG1.5-58-1PK	PWG1.5-58-2PK	PWG1.5-58-3PK	PWG1.5-58-4PK	58	53.50	87.0	90.0	91.5	14	35	55
PWG1.5-60-1PK	PWG1.5-60-2PK	PWG1.5-60-3PK	PWG1.5-60-4PK	60	55.00	90.0	93.0	94.5	14	35	55
PWG1.5-62-1PK	PWG1.5-62-2PK	PWG1.5-62-3PK	PWG1.5-62-4PK	62	56.50	93.0	96.0	97.5	14	35	55
PWG1.5-65-1PK	PWG1.5-65-2PK	PWG1.5-65-3PK	PWG1.5-65-4PK	65	58.75	97.5	100.5	102.0	14	35	55
PWG1.5-68-1PK	PWG1.5-68-2PK	PWG1.5-68-3PK	PWG1.5-68-4PK	68	61.00	102.0	105.0	106.5	16	40	65
PWG1.5-70-1PK	PWG1.5-70-2PK	PWG1.5-70-3PK	PWG1.5-70-4PK	70	62.50	105.0	108.0	109.5	16	40	65
PWG1.5-72-1PK	PWG1.5-72-2PK	PWG1.5-72-3PK	PWG1.5-72-4PK	72	64.00	108.0	111.0	112.5	16	40	65
PWG1.5-75-1PK	PWG1.5-75-2PK	PWG1.5-75-3PK	PWG1.5-75-4PK	75	66.25	112.5	115.5	117.0	16	40	65
PWG1.5-78-1PK	PWG1.5-78-2PK	PWG1.5-78-3PK	PWG1.5-78-4PK	78	68.50	117.0	120.0	121.5	16	40	65
PWG1.5-80-1PK	PWG1.5-80-2PK	PWG1.5-80-3PK	PWG1.5-80-4PK	80	70.00	120.0	123.0	124.5	16	40	65
PWG1.5-82-1PK	PWG1.5-82-2PK	PWG1.5-82-3PK	PWG1.5-82-4PK	82	71.50	123.0	126.0	127.5	16	40	65

PWG-PK 1.5m_x

PRECISION GEARS

1.5 Module PEEK® Wormwheel α 20° PA

Quality Grade Wormwheel 8e25 DIN 3974/3967

Standard Part **PWG 1.5 50 1**

Modified Part **PWG 1.5 50 3 PK 20 K T**

PWG - Precision Worm Gear
Quality Grade 8e DIN 3974/3967
Other Quality Grades available.
See Technical

m_x Module - Cut with DIN 867 1.25/0.20/1.0
Ref. Tooth Profile Topping WD = 2.25 x m_x

Number of Teeth **z**

Number of Starts on Worm
Ratio = $\frac{(z_2) \text{ No. of teeth on wheel}}{(z_1) \text{ No. of starts on worm}}$

T = 1 x Tapped hole **2T** = 2 x Tapped holes
P = 1 x Pin Hole **PT** = 1 x Pin Hole through
All threads metric as standard.
See Technical

K - Keyway supplied to
DIN 6885 - Js9 tolerance.
See Technical

To specify different bore enter size required
Example: 20 = 20mm H7 etc
See Technical

Material: PEEK GF30® (light brown).

Material: PEEK GF30® (light brown), RH lead angle.

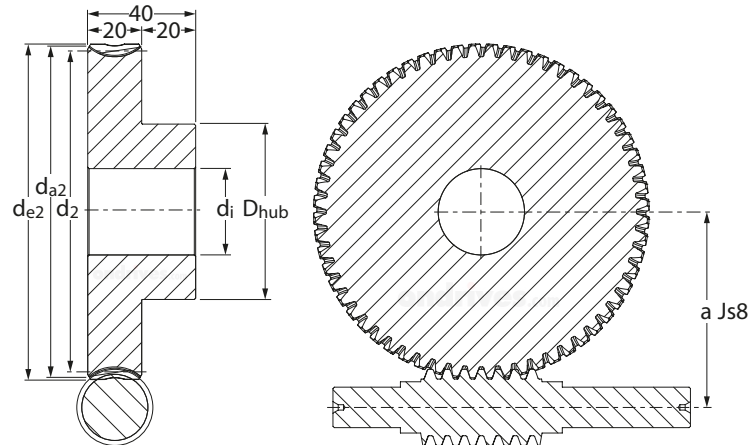
Part Number 1 Start	Backlash (mm) j _{t,e} (max) j _{t,i} (min)	Torque T ₂ Nm n ₂ 100 Rpm	Part Number 2 Start	Backlash (mm) j _{t,e} (max) j _{t,i} (min)	Torque T ₂ Nm n ₂ 100 Rpm	Part Number 3 Start	Backlash (mm) j _{t,e} (max) j _{t,i} (min)	Torque T ₂ Nm n ₂ 100 Rpm	Part Number 4 Start	Backlash (mm) j _{t,e} (max) j _{t,i} (min)	Torque T ₂ Nm n ₂ 100 Rpm
PWG1.5-15-1PK0.114 - 0.040	3.18	3.18	PWG1.5-15-2PK0.115 - 0.040	3.11	3.11	PWG1.5-15-3PK0.117 - 0.041	3.15	3.15	PWG1.5-15-4PK0.119 - 0.042	3.38	3.38
PWG1.5-16-1PK0.114 - 0.040	3.57	3.57	PWG1.5-16-2PK0.115 - 0.040	3.49	3.49	PWG1.5-16-3PK0.117 - 0.041	3.54	3.54	PWG1.5-16-4PK0.119 - 0.042	3.79	3.79
PWG1.5-17-1PK0.114 - 0.040	3.98	3.98	PWG1.5-17-2PK0.115 - 0.040	3.89	3.89	PWG1.5-17-3PK0.117 - 0.041	4.02	4.02	PWG1.5-17-4PK0.119 - 0.042	4.23	4.23
PWG1.5-18-1PK0.114 - 0.040	4.41	4.41	PWG1.5-18-2PK0.115 - 0.040	4.31	4.31	PWG1.5-18-3PK0.117 - 0.041	4.46	4.46	PWG1.5-18-4PK0.119 - 0.042	4.69	4.69
PWG1.5-19-1PK0.114 - 0.040	4.86	4.86	PWG1.5-19-2PK0.115 - 0.040	4.84	4.84	PWG1.5-19-3PK0.117 - 0.041	4.91	4.91	PWG1.5-19-4PK0.119 - 0.042	5.22	5.22
PWG1.5-20-1PK0.114 - 0.040	5.33	5.33	PWG1.5-20-2PK0.115 - 0.040	5.31	5.31	PWG1.5-20-3PK0.117 - 0.041	5.49	5.49	PWG1.5-20-4PK0.119 - 0.042	5.72	5.72
PWG1.5-21-1PK0.114 - 0.040	5.82	5.82	PWG1.5-21-2PK0.115 - 0.040	5.79	5.79	PWG1.5-21-3PK0.117 - 0.041	6.00	6.00	PWG1.5-21-4PK0.119 - 0.042	6.25	6.25
PWG1.5-22-1PK0.114 - 0.040	6.43	6.43	PWG1.5-22-2PK0.115 - 0.040	6.30	6.30	PWG1.5-22-3PK0.117 - 0.041	6.52	6.52	PWG1.5-22-4PK0.119 - 0.042	6.86	6.86
PWG1.5-23-1PK0.114 - 0.040	6.97	6.97	PWG1.5-23-2PK0.115 - 0.040	6.94	6.94	PWG1.5-23-3PK0.117 - 0.041	7.19	7.19	PWG1.5-23-4PK0.119 - 0.042	7.43	7.43
PWG1.5-24-1PK0.114 - 0.040	7.53	7.53	PWG1.5-24-2PK0.115 - 0.040	7.50	7.50	PWG1.5-24-3PK0.117 - 0.041	7.77	7.77	PWG1.5-24-4PK0.119 - 0.042	8.02	8.02
PWG1.5-25-1PK0.114 - 0.040	8.23	8.23	PWG1.5-25-2PK0.115 - 0.040	8.07	8.07	PWG1.5-25-3PK0.117 - 0.041	8.36	8.36	PWG1.5-25-4PK0.119 - 0.042	8.79	8.79
PWG1.5-26-1PK0.114 - 0.040	8.83	8.83	PWG1.5-26-2PK0.115 - 0.040	8.66	8.66	PWG1.5-26-3PK0.117 - 0.041	9.13	9.13	PWG1.5-26-4PK0.119 - 0.042	9.44	9.44
PWG1.5-27-1PK0.117 - 0.038	9.53	9.53	PWG1.5-27-2PK0.117 - 0.038	9.43	9.43	PWG1.5-27-3PK0.119 - 0.039	9.77	9.77	PWG1.5-27-4PK0.121 - 0.039	10.10	10.10
PWG1.5-28-1PK0.117 - 0.038	10.18	10.18	PWG1.5-28-2PK0.117 - 0.038	10.06	10.06	PWG1.5-28-3PK0.119 - 0.039	10.44	10.44	PWG1.5-28-4PK0.121 - 0.039	10.78	10.78
PWG1.5-29-1PK0.117 - 0.038	10.84	10.84	PWG1.5-29-2PK0.117 - 0.038	10.72	10.72	PWG1.5-29-3PK0.119 - 0.039	11.12	11.12	PWG1.5-29-4PK0.121 - 0.039	11.70	11.70
PWG1.5-30-1PK0.117 - 0.038	11.61	11.61	PWG1.5-30-2PK0.117 - 0.038	11.59	11.59	PWG1.5-30-3PK0.119 - 0.039	11.82	11.82	PWG1.5-30-4PK0.121 - 0.039	12.43	12.43
PWG1.5-32-1PK0.117 - 0.038	13.05	13.05	PWG1.5-32-2PK0.117 - 0.038	13.02	13.02	PWG1.5-32-3PK0.119 - 0.039	13.51	13.51	PWG1.5-32-4PK0.121 - 0.039	14.22	14.22
PWG1.5-35-1PK0.137 - 0.048	15.33	15.33	PWG1.5-35-2PK0.138 - 0.048	15.29	15.29	PWG1.5-35-3PK0.140 - 0.049	15.87	15.87	PWG1.5-35-4PK0.142 - 0.050	16.71	16.71
PWG1.5-38-1PK0.137 - 0.048	17.77	17.77	PWG1.5-38-2PK0.138 - 0.048	17.73	17.73	PWG1.5-38-3PK0.140 - 0.049	18.73	18.73	PWG1.5-38-4PK0.142 - 0.050	19.37	19.37
PWG1.5-40-1PK0.137 - 0.048	19.49	19.49	PWG1.5-40-2PK0.138 - 0.048	19.45	19.45	PWG1.5-40-3PK0.140 - 0.049	20.54	20.54	PWG1.5-40-4PK0.142 - 0.050	21.63	21.63
PWG1.5-42-1PK0.137 - 0.048	21.62	21.62	PWG1.5-42-2PK0.138 - 0.048	21.24	21.24	PWG1.5-42-3PK0.140 - 0.049	22.42	22.42	PWG1.5-42-4PK0.142 - 0.050	23.61	23.61
PWG1.5-45-1PK0.137 - 0.048	24.48	24.48	PWG1.5-45-2PK0.138 - 0.048	24.44	24.44	PWG1.5-45-3PK0.140 - 0.049	25.83	25.83	PWG1.5-45-4PK0.142 - 0.050	26.73	26.73
PWG1.5-48-1PK0.137 - 0.048	27.50	27.50	PWG1.5-48-2PK0.138 - 0.048	27.45	27.45	PWG1.5-48-3PK0.140 - 0.049	29.01	29.01	PWG1.5-48-4PK0.142 - 0.050	30.03	30.03
PWG1.5-50-1PK0.137 - 0.048	30.05	30.05	PWG1.5-50-2PK0.138 - 0.048	30.03	30.03	PWG1.5-50-3PK0.140 - 0.049	31.22	31.22	PWG1.5-50-4PK0.142 - 0.050	32.88	32.88
PWG1.5-52-1PK0.137 - 0.048	32.25	32.25	PWG1.5-52-2PK0.138 - 0.048	32.23	32.23	PWG1.5-52-3PK0.140 - 0.049	33.50	33.50	PWG1.5-52-4PK0.142 - 0.050	35.29	35.29
PWG1.5-55-1PK0.139 - 0.045	35.68	35.68	PWG1.5-55-2PK0.140 - 0.046	35.94	35.94	PWG1.5-55-3PK0.142 - 0.046	37.06	37.06	PWG1.5-55-4PK0.145 - 0.047	39.04	39.04
PWG1.5-58-1PK0.139 - 0.045	39.26	39.26	PWG1.5-58-2PK0.140 - 0.046	39.55	39.55	PWG1.5-58-3PK0.142 - 0.046	41.47	41.47	PWG1.5-58-4PK0.145 - 0.047	43.70	43.70
PWG1.5-60-1PK0.139 - 0.045	41.73	41.73	PWG1.5-60-2PK0.140 - 0.046	42.37	42.37	PWG1.5-60-3PK0.142 - 0.046	44.08	44.08	PWG1.5-60-4PK0.145 - 0.047	46.44	46.44
PWG1.5-62-1PK0.139 - 0.045	44.27	44.27	PWG1.5-62-2PK0.140 - 0.046	44.95	44.95	PWG1.5-62-3PK0.142 - 0.046	46.76	46.76	PWG1.5-62-4PK0.145 - 0.047	49.27	49.27
PWG1.5-65-1PK0.139 - 0.045	50.05	50.05	PWG1.5-65-2PK0.140 - 0.046	48.94	48.94	PWG1.5-65-3PK0.142 - 0.046	50.91	50.91	PWG1.5-65-4PK0.145 - 0.047	53.64	53.64
PWG1.5-68-1PK0.139 - 0.045	54.28	54.28	PWG1.5-68-2PK0.140 - 0.046	53.08	53.08	PWG1.5-68-3PK0.142 - 0.046	55.22	55.22	PWG1.5-68-4PK0.145 - 0.047	58.18	58.18
PWG1.5-70-1PK0.139 - 0.045	57.19	57.19	PWG1.5-70-2PK0.140 - 0.046	55.92	55.92	PWG1.5-70-3PK0.142 - 0.046	58.18	58.18	PWG1.5-70-4PK0.145 - 0.047	61.30	61.30
PWG1.5-72-1PK0.139 - 0.045	60.17	60.17	PWG1.5-72-2PK0.140 - 0.046	58.83	58.83	PWG1.5-72-3PK0.142 - 0.046	61.21	61.21	PWG1.5-72-4PK0.145 - 0.047	64.49	64.49
PWG1.5-75-1PK0.139 - 0.045	64.75	64.75	PWG1.5-75-2PK0.140 - 0.046	63.32	63.32	PWG1.5-75-3PK0.142 - 0.046	66.97	66.97	PWG1.5-75-4PK0.145 - 0.047	70.58	70.58
PWG1.5-78-1PK0.139 - 0.045	69.49	69.49	PWG1.5-78-2PK0.140 - 0.046	67.95	67.95	PWG1.5-78-3PK0.142 - 0.046	71.87	71.87	PWG1.5-78-4PK0.145 - 0.047	75.74	75.74
PWG1.5-80-1PK0.139 - 0.045	72.79	72.79	PWG1.5-80-2PK0.140 - 0.046	71.11	71.11	PWG1.5-80-3PK0.142 - 0.046	75.22	75.22	PWG1.5-80-4PK0.145 - 0.047	79.27	79.27
PWG1.5-82-1PK0.139 - 0.045	76.10	76.10	PWG1.5-82-2PK0.140 - 0.046	74.35	74.35	PWG1.5-82-3PK0.142 - 0.046	78.64	78.64	PWG1.5-82-4PK0.145 - 0.047	82.88	82.88

PWG-DL 2.0m_x

PRECISION GEARS

2.0 Module Delrin Wormwheel α 20° PA

Quality Grade Wormwheel 8e25 DIN 3974/3967



DIN 3967 Tooth Thickness tol.

Part Number				No. of Teeth z_2	Centre Distance a	Ref. Dia. d_2	Wheel Throat d_{a2}	Tip Dia. d_{e2}	Bore Dia. H7 d_i	Max. Bore Dia. H7 d_j	Hub Dia. D_{hub}
1 Start	2 Start	3 Start	4 Start								
PWG 2.0-15-1DL	PWG 2.0-15-2DL	PWG 2.0-15-3DL	PWG 2.0-15-4DL	15	27.5	30	34	36	10	12	25
PWG 2.0-16-1DL	PWG 2.0-16-2DL	PWG 2.0-16-3DL	PWG 2.0-16-4DL	16	28.5	32	36	38	10	12	25
PWG 2.0-17-1DL	PWG 2.0-17-2DL	PWG 2.0-17-3DL	PWG 2.0-17-4DL	17	29.5	34	38	40	10	12	25
PWG 2.0-18-1DL	PWG 2.0-18-2DL	PWG 2.0-18-3DL	PWG 2.0-18-4DL	18	30.5	36	40	42	10	12	25
PWG 2.0-19-1DL	PWG 2.0-19-2DL	PWG 2.0-19-3DL	PWG 2.0-19-4DL	19	31.5	38	42	44	10	12	25
PWG 2.0-20-1DL	PWG 2.0-20-2DL	PWG 2.0-20-3DL	PWG 2.0-20-4DL	20	32.5	40	44	46	10	12	25
PWG 2.0-21-1DL	PWG 2.0-21-2DL	PWG 2.0-21-3DL	PWG 2.0-21-4DL	21	33.5	42	46	48	12	20	35
PWG 2.0-22-1DL	PWG 2.0-22-2DL	PWG 2.0-22-3DL	PWG 2.0-22-4DL	22	34.5	44	48	50	12	20	35
PWG 2.0-23-1DL	PWG 2.0-23-2DL	PWG 2.0-23-3DL	PWG 2.0-23-4DL	23	35.5	46	50	52	12	20	35
PWG 2.0-24-1DL	PWG 2.0-24-2DL	PWG 2.0-24-3DL	PWG 2.0-24-4DL	24	36.5	48	52	54	12	20	35
PWG 2.0-25-1DL	PWG 2.0-25-2DL	PWG 2.0-25-3DL	PWG 2.0-25-4DL	25	37.5	50	54	56	12	20	35
PWG 2.0-26-1DL	PWG 2.0-26-2DL	PWG 2.0-26-3DL	PWG 2.0-26-4DL	26	38.5	52	56	58	12	20	35
PWG 2.0-27-1DL	PWG 2.0-27-2DL	PWG 2.0-27-3DL	PWG 2.0-27-4DL	27	39.5	54	58	60	12	20	35
PWG 2.0-28-1DL	PWG 2.0-28-2DL	PWG 2.0-28-3DL	PWG 2.0-28-4DL	28	40.5	56	60	62	12	20	35
PWG 2.0-29-1DL	PWG 2.0-29-2DL	PWG 2.0-29-3DL	PWG 2.0-29-4DL	29	41.5	58	62	64	14	30	50
PWG 2.0-30-1DL	PWG 2.0-30-2DL	PWG 2.0-30-3DL	PWG 2.0-30-4DL	30	42.5	60	64	66	14	30	50
PWG 2.0-32-1DL	PWG 2.0-32-2DL	PWG 2.0-32-3DL	PWG 2.0-32-4DL	32	44.5	64	68	70	14	30	50
PWG 2.0-35-1DL	PWG 2.0-35-2DL	PWG 2.0-35-3DL	PWG 2.0-35-4DL	35	47.5	70	74	76	14	30	50
PWG 2.0-38-1DL	PWG 2.0-38-2DL	PWG 2.0-38-3DL	PWG 2.0-38-4DL	38	50.5	76	80	82	14	30	50
PWG 2.0-40-1DL	PWG 2.0-40-2DL	PWG 2.0-40-3DL	PWG 2.0-40-4DL	40	52.5	80	84	86	14	30	50
PWG 2.0-42-1DL	PWG 2.0-42-2DL	PWG 2.0-42-3DL	PWG 2.0-42-4DL	42	54.5	84	88	90	14	30	50
PWG 2.0-45-1DL	PWG 2.0-45-2DL	PWG 2.0-45-3DL	PWG 2.0-45-4DL	45	57.5	90	94	96	14	30	50
PWG 2.0-48-1DL	PWG 2.0-48-2DL	PWG 2.0-48-3DL	PWG 2.0-48-4DL	48	60.5	96	100	102	14	30	50
PWG 2.0-50-1DL	PWG 2.0-50-2DL	PWG 2.0-50-3DL	PWG 2.0-50-4DL	50	62.5	100	104	106	16	40	65
PWG 2.0-52-1DL	PWG 2.0-52-2DL	PWG 2.0-52-3DL	PWG 2.0-52-4DL	52	64.5	104	108	110	16	40	65
PWG 2.0-55-1DL	PWG 2.0-55-2DL	PWG 2.0-55-3DL	PWG 2.0-55-4DL	55	67.5	110	114	116	16	40	65
PWG 2.0-58-1DL	PWG 2.0-58-2DL	PWG 2.0-58-3DL	PWG 2.0-58-4DL	58	70.5	116	120	122	16	40	65
PWG 2.0-60-1DL	PWG 2.0-60-2DL	PWG 2.0-60-3DL	PWG 2.0-60-4DL	60	72.5	120	124	126	16	40	65
PWG 2.0-62-1DL	PWG 2.0-62-2DL	PWG 2.0-62-3DL	PWG 2.0-62-4DL	62	74.5	124	128	130	16	40	65

PWG-DL 2.0m_x

PRECISION GEARS

2.0 Module Delrin Wormwheel α 20° PA

Quality Grade Wormwheel 8e25 DIN 3974/3967

Standard Part **PWG 2.0-50 1**

Modified Part **PWG 2.0-50 3 DL 20 K T**

PWG - Precision Worm Gear
Quality Grade 8e DIN 3974/3967
Other Quality Grades available.
See Technical

m_x Module - Cut with DIN 867 1.25/0.20/1.0
Ref. Tooth Profile Topping WD = 2.25 x m_x

Number of Teeth **z**

Number of Starts on Worm
Ratio = $\frac{(z_2)}{(z_1)}$ No. of teeth on wheel
No. of starts on worm

T = 1 x Tapped hole **2T** = 2 x Tapped holes
P = 1 x Pin Hole **PT** = 1 x Pin Hole through
All threads metric as standard.
See Technical

K- Keyway supplied to
DIN 6885 - Js9 tolerance.
See Technical

To specify different bore enter size required
Example: 20 = 20mm H7 etc
See Technical

Material: Delrin POM (white).

Material: Delrin POM (white). RH lead angle.

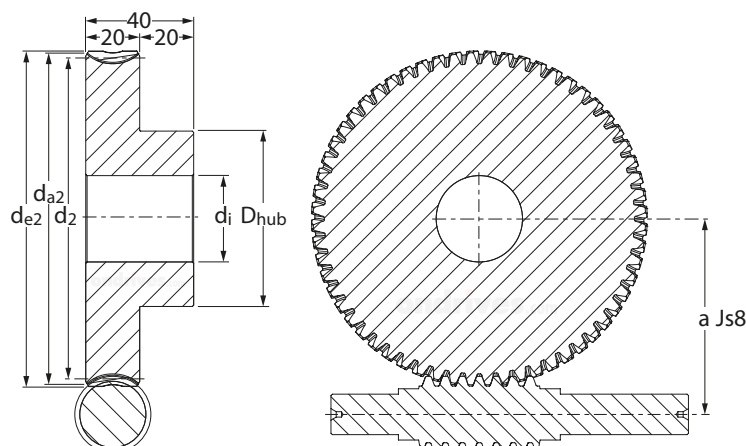
Part Number 1 Start	Backlash (mm) <i>j_{t,e}(max) j_{t,i}(min)</i>	Torque T ₂ Nm n ₂ 100 Rpm	Part Number 2 Start	Backlash (mm) <i>j_{t,e}(max) j_{t,i}(min)</i>	Torque T ₂ Nm n ₂ 100 Rpm	Part Number 3 Start	Backlash (mm) <i>j_{t,e}(max) j_{t,i}(min)</i>	Torque T ₂ Nm n ₂ 100 Rpm	Part Number 4 Start	Backlash (mm) <i>j_{t,e}(max) j_{t,i}(min)</i>	Torque T ₂ Nm n ₂ 100 Rpm
PWG 2.0-15-1DL	0.114 - 0.040	5.65	PWG 2.0-15-2DL	0.115 - 0.040	5.77	PWG 2.0-15-3DL	0.117 - 0.041	5.84	PWG 2.0-15-4DL	0.120 - 0.042	6.17
PWG 2.0-16-1DL	0.114 - 0.040	6.35	PWG 2.0-16-2DL	0.115 - 0.040	6.48	PWG 2.0-16-3DL	0.117 - 0.041	6.62	PWG 2.0-16-4DL	0.120 - 0.042	6.93
PWG 2.0-17-1DL	0.114 - 0.040	7.08	PWG 2.0-17-2DL	0.115 - 0.040	7.22	PWG 2.0-17-3DL	0.117 - 0.041	7.38	PWG 2.0-17-4DL	0.120 - 0.042	7.73
PWG 2.0-18-1DL	0.117 - 0.038	7.85	PWG 2.0-18-2DL	0.118 - 0.038	8.01	PWG 2.0-18-3DL	0.119 - 0.039	8.18	PWG 2.0-18-4DL	0.122 - 0.040	8.57
PWG 2.0-19-1DL	0.117 - 0.038	8.65	PWG 2.0-19-2DL	0.118 - 0.038	8.83	PWG 2.0-19-3DL	0.119 - 0.039	9.02	PWG 2.0-19-4DL	0.122 - 0.040	9.54
PWG 2.0-20-1DL	0.117 - 0.038	9.64	PWG 2.0-20-2DL	0.118 - 0.038	9.68	PWG 2.0-20-3DL	0.119 - 0.039	9.89	PWG 2.0-20-4DL	0.122 - 0.040	10.46
PWG 2.0-21-1DL	0.117 - 0.038	10.53	PWG 2.0-21-2DL	0.118 - 0.038	10.57	PWG 2.0-21-3DL	0.119 - 0.039	11.00	PWG 2.0-21-4DL	0.122 - 0.040	11.42
PWG 2.0-22-1DL	0.117 - 0.038	11.64	PWG 2.0-22-2DL	0.118 - 0.038	11.59	PWG 2.0-22-3DL	0.119 - 0.039	11.96	PWG 2.0-22-4DL	0.122 - 0.040	12.54
PWG 2.0-23-1DL	0.117 - 0.038	12.81	PWG 2.0-23-2DL	0.118 - 0.038	12.56	PWG 2.0-23-3DL	0.119 - 0.039	12.96	PWG 2.0-23-4DL	0.122 - 0.040	13.58
PWG 2.0-24-1DL	0.117 - 0.038	14.05	PWG 2.0-24-2DL	0.118 - 0.038	13.56	PWG 2.0-24-3DL	0.119 - 0.039	14.24	PWG 2.0-24-4DL	0.122 - 0.040	14.66
PWG 2.0-25-1DL	0.117 - 0.038	15.12	PWG 2.0-25-2DL	0.118 - 0.038	14.59	PWG 2.0-25-3DL	0.119 - 0.039	15.74	PWG 2.0-25-4DL	0.122 - 0.040	16.08
PWG 2.0-26-1DL	0.137 - 0.048	16.22	PWG 2.0-26-2DL	0.138 - 0.048	15.66	PWG 2.0-26-3DL	0.140 - 0.049	16.89	PWG 2.0-26-4DL	0.143 - 0.050	17.57
PWG 2.0-27-1DL	0.137 - 0.048	17.36	PWG 2.0-27-2DL	0.138 - 0.048	17.05	PWG 2.0-27-3DL	0.140 - 0.049	18.08	PWG 2.0-27-4DL	0.143 - 0.050	18.81
PWG 2.0-28-1DL	0.137 - 0.048	18.54	PWG 2.0-28-2DL	0.138 - 0.048	18.20	PWG 2.0-28-3DL	0.140 - 0.049	19.30	PWG 2.0-28-4DL	0.143 - 0.050	20.08
PWG 2.0-29-1DL	0.137 - 0.048	19.75	PWG 2.0-29-2DL	0.138 - 0.048	19.39	PWG 2.0-29-3DL	0.140 - 0.049	20.56	PWG 2.0-29-4DL	0.143 - 0.050	21.78
PWG 2.0-30-1DL	0.137 - 0.048	20.99	PWG 2.0-30-2DL	0.138 - 0.048	20.96	PWG 2.0-30-3DL	0.140 - 0.049	21.86	PWG 2.0-30-4DL	0.143 - 0.050	23.15
PWG 2.0-32-1DL	0.137 - 0.048	23.58	PWG 2.0-32-2DL	0.138 - 0.048	23.54	PWG 2.0-32-3DL	0.140 - 0.049	24.76	PWG 2.0-32-4DL	0.143 - 0.050	26.00
PWG 2.0-35-1DL	0.137 - 0.048	27.70	PWG 2.0-35-2DL	0.138 - 0.048	27.66	PWG 2.0-35-3DL	0.140 - 0.049	29.10	PWG 2.0-35-4DL	0.143 - 0.050	31.10
PWG 2.0-38-1DL	0.139 - 0.045	32.12	PWG 2.0-38-2DL	0.141 - 0.046	32.07	PWG 2.0-38-3DL	0.143 - 0.047	33.74	PWG 2.0-38-4DL	0.146 - 0.048	36.38
PWG 2.0-40-1DL	0.139 - 0.045	35.23	PWG 2.0-40-2DL	0.141 - 0.046	35.76	PWG 2.0-40-3DL	0.143 - 0.047	37.00	PWG 2.0-40-4DL	0.146 - 0.048	39.89
PWG 2.0-42-1DL	0.139 - 0.045	38.46	PWG 2.0-42-2DL	0.141 - 0.046	39.04	PWG 2.0-42-3DL	0.143 - 0.047	41.09	PWG 2.0-42-4DL	0.146 - 0.048	43.56
PWG 2.0-45-1DL	0.139 - 0.045	44.23	PWG 2.0-45-2DL	0.141 - 0.046	45.65	PWG 2.0-45-3DL	0.143 - 0.047	46.53	PWG 2.0-45-4DL	0.146 - 0.048	49.75
PWG 2.0-48-1DL	0.139 - 0.045	49.68	PWG 2.0-48-2DL	0.141 - 0.046	52.09	PWG 2.0-48-3DL	0.143 - 0.047	52.26	PWG 2.0-48-4DL	0.146 - 0.048	55.87
PWG 2.0-50-1DL	0.139 - 0.045	53.47	PWG 2.0-50-2DL	0.141 - 0.046	56.06	PWG 2.0-50-3DL	0.143 - 0.047	57.20	PWG 2.0-50-4DL	0.146 - 0.048	60.13
PWG 2.0-52-1DL	0.139 - 0.045	57.38	PWG 2.0-52-2DL	0.141 - 0.046	60.16	PWG 2.0-52-3DL	0.143 - 0.047	61.38	PWG 2.0-52-4DL	0.146 - 0.048	64.53
PWG 2.0-55-1DL	0.139 - 0.045	63.47	PWG 2.0-55-2DL	0.141 - 0.046	66.55	PWG 2.0-55-3DL	0.143 - 0.047	67.90	PWG 2.0-55-4DL	0.146 - 0.048	72.62
PWG 2.0-58-1DL	0.139 - 0.045	69.84	PWG 2.0-58-2DL	0.141 - 0.046	73.23	PWG 2.0-58-3DL	0.143 - 0.047	74.71	PWG 2.0-58-4DL	0.146 - 0.048	79.90
PWG 2.0-60-1DL	0.139 - 0.045	76.52	PWG 2.0-60-2DL	0.141 - 0.046	77.84	PWG 2.0-60-3DL	0.143 - 0.047	80.74	PWG 2.0-60-4DL	0.146 - 0.048	84.93
PWG 2.0-62-1DL	0.139 - 0.045	81.17	PWG 2.0-62-2DL	0.141 - 0.046	82.57	PWG 2.0-62-3DL	0.143 - 0.047	85.65	PWG 2.0-62-4DL	0.146 - 0.048	90.09

PWG-PK 2.0m_x

PRECISION GEARS

2.0 Module PEEK® Wormwheel α 20° PA

Quality Grade Wormwheel 8e25 DIN 3974/3967



DIN 3967 Tooth Thickness tol.

Part Number				No. of Teeth z_2	Centre Distance a	Ref. Dia. d_2	Wheel Throat d_{a2}	Tip Dia. d_{e2}	Bore Dia. H7 d_1	Max. Bore Dia. H7 d_j	Hub Dia. D_{hub}
1 Start	2 Start	3 Start	4 Start								
PWG 2.0-15-1PK	PWG 2.0-15-2PK	PWG 2.0-15-3PK	PWG 2.0-15-4PK	15	27.5	30	34	36	10	12	25
PWG 2.0-16-1PK	PWG 2.0-16-2PK	PWG 2.0-16-3PK	PWG 2.0-16-4PK	16	28.5	32	36	38	10	12	25
PWG 2.0-17-1PK	PWG 2.0-17-2PK	PWG 2.0-17-3PK	PWG 2.0-17-4PK	17	29.5	34	38	40	10	12	25
PWG 2.0-18-1PK	PWG 2.0-18-2PK	PWG 2.0-18-3PK	PWG 2.0-18-4PK	18	30.5	36	40	42	10	12	25
PWG 2.0-19-1PK	PWG 2.0-19-2PK	PWG 2.0-19-3PK	PWG 2.0-19-4PK	19	31.5	38	42	44	10	12	25
PWG 2.0-20-1PK	PWG 2.0-20-2PK	PWG 2.0-20-3PK	PWG 2.0-20-4PK	20	32.5	40	44	46	10	12	25
PWG 2.0-21-1PK	PWG 2.0-21-2PK	PWG 2.0-21-3PK	PWG 2.0-21-4PK	21	33.5	42	46	48	12	20	35
PWG 2.0-22-1PK	PWG 2.0-22-2PK	PWG 2.0-22-3PK	PWG 2.0-22-4PK	22	34.5	44	48	50	12	20	35
PWG 2.0-23-1PK	PWG 2.0-23-2PK	PWG 2.0-23-3PK	PWG 2.0-23-4PK	23	35.5	46	50	52	12	20	35
PWG 2.0-24-1PK	PWG 2.0-24-2PK	PWG 2.0-24-3PK	PWG 2.0-24-4PK	24	36.5	48	52	54	12	20	35
PWG 2.0-25-1PK	PWG 2.0-25-2PK	PWG 2.0-25-3PK	PWG 2.0-25-4PK	25	37.5	50	54	56	12	20	35
PWG 2.0-26-1PK	PWG 2.0-26-2PK	PWG 2.0-26-3PK	PWG 2.0-26-4PK	26	38.5	52	56	58	12	20	35
PWG 2.0-27-1PK	PWG 2.0-27-2PK	PWG 2.0-27-3PK	PWG 2.0-27-4PK	27	39.5	54	58	60	12	20	35
PWG 2.0-28-1PK	PWG 2.0-28-2PK	PWG 2.0-28-3PK	PWG 2.0-28-4PK	28	40.5	56	60	62	12	20	35
PWG 2.0-29-1PK	PWG 2.0-29-2PK	PWG 2.0-29-3PK	PWG 2.0-29-4PK	29	41.5	58	62	64	14	30	50
PWG 2.0-30-1PK	PWG 2.0-30-2PK	PWG 2.0-30-3PK	PWG 2.0-30-4PK	30	42.5	60	64	66	14	30	50
PWG 2.0-32-1PK	PWG 2.0-32-2PK	PWG 2.0-32-3PK	PWG 2.0-32-4PK	32	44.5	64	68	70	14	30	50
PWG 2.0-35-1PK	PWG 2.0-35-2PK	PWG 2.0-35-3PK	PWG 2.0-35-4PK	35	47.5	70	74	76	14	30	50
PWG 2.0-38-1PK	PWG 2.0-38-2PK	PWG 2.0-38-3PK	PWG 2.0-38-4PK	38	50.5	76	80	82	14	30	50
PWG 2.0-40-1PK	PWG 2.0-40-2PK	PWG 2.0-40-3PK	PWG 2.0-40-4PK	40	52.5	80	84	86	14	30	50
PWG 2.0-42-1PK	PWG 2.0-42-2PK	PWG 2.0-42-3PK	PWG 2.0-42-4PK	42	54.5	84	88	90	14	30	50
PWG 2.0-45-1PK	PWG 2.0-45-2PK	PWG 2.0-45-3PK	PWG 2.0-45-4PK	45	57.5	90	94	96	14	30	50
PWG 2.0-48-1PK	PWG 2.0-48-2PK	PWG 2.0-48-3PK	PWG 2.0-48-4PK	48	60.5	96	100	102	14	30	50
PWG 2.0-50-1PK	PWG 2.0-50-2PK	PWG 2.0-50-3PK	PWG 2.0-50-4PK	50	62.5	100	104	106	16	40	65
PWG 2.0-52-1PK	PWG 2.0-52-2PK	PWG 2.0-52-3PK	PWG 2.0-52-4PK	52	64.5	104	108	110	16	40	65
PWG 2.0-55-1PK	PWG 2.0-55-2PK	PWG 2.0-55-3PK	PWG 2.0-55-4PK	55	67.5	110	114	116	16	40	65
PWG 2.0-58-1PK	PWG 2.0-58-2PK	PWG 2.0-58-3PK	PWG 2.0-58-4PK	58	70.5	116	120	122	16	40	65
PWG 2.0-60-1PK	PWG 2.0-60-2PK	PWG 2.0-60-3PK	PWG 2.0-60-4PK	60	72.5	120	124	126	16	40	65
PWG 2.0-62-1PK	PWG 2.0-62-2PK	PWG 2.0-62-3PK	PWG 2.0-62-4PK	62	74.5	124	128	130	16	40	65

PWG-PK 2.0m_x

PRECISION GEARS

2.0 Module PEEK® Wormwheel α 20° PA

Quality Grade Wormwheel 8e25 DIN 3974/3967

Standard Part **PWG 2.0-50 1**

Modified Part **PWG 2.0-50 3 PK 20 K T**

PWG - Precision Worm Gear
Quality Grade 8e DIN 3974/3967
Other Quality Grades available.
See Technical

m_x Module - Cut with DIN 867 1.25/0.20/1.0
Ref. Tooth Profile Topping WD = 2.25 x m_x

Number of Teeth **z**

Number of Starts on Worm
Ratio = $\frac{(z_2) \text{ No. of teeth on wheel}}{(z_1) \text{ No. of starts on worm}}$

T = 1 x Tapped hole **2T** = 2 x Tapped holes
P = 1 x Pin Hole **PT** = 1 x Pin Hole through
All threads metric as standard.
See Technical

K- Keyway supplied to
DIN 6885 - Js9 tolerance.
See Technical

To specify different bore enter size required
Example: 20 = 20mm H7 etc
See Technical

Material: PEEK GF30® (light brown).

Material: PEEK GF30® (light brown), RH lead angle.

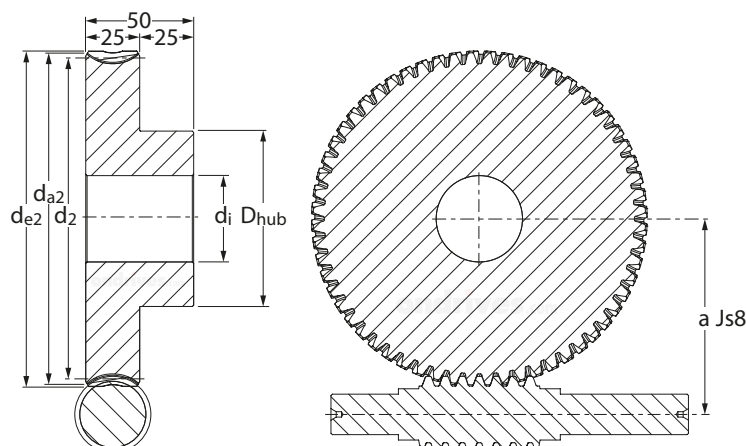
Part Number 1 Start	Backlash (mm) <i>j_{t,e}(max) j_{t,i}(min)</i>	Torque T ₂ Nm n ₂ 100 Rpm	Part Number 2 Start	Backlash (mm) <i>j_{t,e}(max) j_{t,i}(min)</i>	Torque T ₂ Nm n ₂ 100 Rpm	Part Number 3 Start	Backlash (mm) <i>j_{t,e}(max) j_{t,i}(min)</i>	Torque T ₂ Nm n ₂ 100 Rpm	Part Number 4 Start	Backlash (mm) <i>j_{t,e}(max) j_{t,i}(min)</i>	Torque T ₂ Nm n ₂ 100 Rpm
PWG 2.0-15-1PK0.114 - 0.040	6.78	6.78	PWG 2.0-15-2PK0.115 - 0.040	6.92	6.92	PWG 2.0-15-3PK0.117 - 0.041	7.01	7.01	PWG 2.0-15-4PK0.120 - 0.042	7.41	7.41
PWG 2.0-16-1PK0.114 - 0.040	7.62	7.62	PWG 2.0-16-2PK0.115 - 0.040	7.77	7.77	PWG 2.0-16-3PK0.117 - 0.041	7.94	7.94	PWG 2.0-16-4PK0.120 - 0.042	8.32	8.32
PWG 2.0-17-1PK0.114 - 0.040	8.50	8.50	PWG 2.0-17-2PK0.115 - 0.040	8.67	8.67	PWG 2.0-17-3PK0.117 - 0.041	8.86	8.86	PWG 2.0-17-4PK0.120 - 0.042	9.28	9.28
PWG 2.0-18-1PK0.117 - 0.038	9.42	9.42	PWG 2.0-18-2PK0.118 - 0.038	9.61	9.61	PWG 2.0-18-3PK0.119 - 0.039	9.82	9.82	PWG 2.0-18-4PK0.122 - 0.040	10.29	10.29
PWG 2.0-19-1PK0.117 - 0.038	10.38	10.38	PWG 2.0-19-2PK0.118 - 0.038	10.59	10.59	PWG 2.0-19-3PK0.119 - 0.039	10.82	10.82	PWG 2.0-19-4PK0.122 - 0.040	11.45	11.45
PWG 2.0-20-1PK0.117 - 0.038	11.57	11.57	PWG 2.0-20-2PK0.118 - 0.038	11.62	11.62	PWG 2.0-20-3PK0.119 - 0.039	11.87	11.87	PWG 2.0-20-4PK0.122 - 0.040	12.55	12.55
PWG 2.0-21-1PK0.117 - 0.038	12.63	12.63	PWG 2.0-21-2PK0.118 - 0.038	12.68	12.68	PWG 2.0-21-3PK0.119 - 0.039	13.20	13.20	PWG 2.0-21-4PK0.122 - 0.040	13.70	13.70
PWG 2.0-22-1PK0.117 - 0.038	13.96	13.96	PWG 2.0-22-2PK0.118 - 0.038	13.91	13.91	PWG 2.0-22-3PK0.119 - 0.039	14.35	14.35	PWG 2.0-22-4PK0.122 - 0.040	15.04	15.04
PWG 2.0-23-1PK0.117 - 0.038	15.37	15.37	PWG 2.0-23-2PK0.118 - 0.038	15.07	15.07	PWG 2.0-23-3PK0.119 - 0.039	15.55	15.55	PWG 2.0-23-4PK0.122 - 0.040	16.30	16.30
PWG 2.0-24-1PK0.117 - 0.038	16.86	16.86	PWG 2.0-24-2PK0.118 - 0.038	16.27	16.27	PWG 2.0-24-3PK0.119 - 0.039	17.09	17.09	PWG 2.0-24-4PK0.122 - 0.040	17.59	17.59
PWG 2.0-25-1PK0.117 - 0.038	18.14	18.14	PWG 2.0-25-2PK0.118 - 0.038	17.51	17.51	PWG 2.0-25-3PK0.119 - 0.039	18.89	18.89	PWG 2.0-25-4PK0.122 - 0.040	19.29	19.29
PWG 2.0-26-1PK0.137 - 0.048	19.47	19.47	PWG 2.0-26-2PK0.138 - 0.048	18.79	18.79	PWG 2.0-26-3PK0.140 - 0.049	20.27	20.27	PWG 2.0-26-4PK0.143 - 0.050	21.09	21.09
PWG 2.0-27-1PK0.137 - 0.048	20.84	20.84	PWG 2.0-27-2PK0.138 - 0.048	20.46	20.46	PWG 2.0-27-3PK0.140 - 0.049	21.70	21.70	PWG 2.0-27-4PK0.143 - 0.050	22.57	22.57
PWG 2.0-28-1PK0.137 - 0.048	22.25	22.25	PWG 2.0-28-2PK0.138 - 0.048	21.84	21.84	PWG 2.0-28-3PK0.140 - 0.049	23.16	23.16	PWG 2.0-28-4PK0.143 - 0.050	24.10	24.10
PWG 2.0-29-1PK0.137 - 0.048	23.70	23.70	PWG 2.0-29-2PK0.138 - 0.048	23.26	23.26	PWG 2.0-29-3PK0.140 - 0.049	24.67	24.67	PWG 2.0-29-4PK0.143 - 0.050	26.14	26.14
PWG 2.0-30-1PK0.137 - 0.048	25.19	25.19	PWG 2.0-30-2PK0.138 - 0.048	25.15	25.15	PWG 2.0-30-3PK0.140 - 0.049	26.23	26.23	PWG 2.0-30-4PK0.143 - 0.050	27.78	27.78
PWG 2.0-32-1PK0.137 - 0.048	28.29	28.29	PWG 2.0-32-2PK0.138 - 0.048	28.25	28.25	PWG 2.0-32-3PK0.140 - 0.049	29.71	29.71	PWG 2.0-32-4PK0.143 - 0.050	31.20	31.20
PWG 2.0-35-1PK0.137 - 0.048	33.24	33.24	PWG 2.0-35-2PK0.138 - 0.048	33.19	33.19	PWG 2.0-35-3PK0.140 - 0.049	34.92	34.92	PWG 2.0-35-4PK0.143 - 0.050	37.32	37.32
PWG 2.0-38-1PK0.139 - 0.045	38.55	38.55	PWG 2.0-38-2PK0.141 - 0.046	38.48	38.48	PWG 2.0-38-3PK0.143 - 0.047	40.49	40.49	PWG 2.0-38-4PK0.146 - 0.048	43.65	43.65
PWG 2.0-40-1PK0.139 - 0.045	42.28	42.28	PWG 2.0-40-2PK0.141 - 0.046	42.91	42.91	PWG 2.0-40-3PK0.143 - 0.047	44.40	44.40	PWG 2.0-40-4PK0.146 - 0.048	47.87	47.87
PWG 2.0-42-1PK0.139 - 0.045	46.16	46.16	PWG 2.0-42-2PK0.141 - 0.046	46.85	46.85	PWG 2.0-42-3PK0.143 - 0.047	49.31	49.31	PWG 2.0-42-4PK0.146 - 0.048	52.27	52.27
PWG 2.0-45-1PK0.139 - 0.045	53.08	53.08	PWG 2.0-45-2PK0.141 - 0.046	54.78	54.78	PWG 2.0-45-3PK0.143 - 0.047	55.83	55.83	PWG 2.0-45-4PK0.146 - 0.048	59.69	59.69
PWG 2.0-48-1PK0.139 - 0.045	59.62	59.62	PWG 2.0-48-2PK0.141 - 0.046	62.51	62.51	PWG 2.0-48-3PK0.143 - 0.047	62.71	62.71	PWG 2.0-48-4PK0.146 - 0.048	67.05	67.05
PWG 2.0-50-1PK0.139 - 0.045	64.16	64.16	PWG 2.0-50-2PK0.141 - 0.046	67.27	67.27	PWG 2.0-50-3PK0.143 - 0.047	68.64	68.64	PWG 2.0-50-4PK0.146 - 0.048	72.16	72.16
PWG 2.0-52-1PK0.139 - 0.045	68.85	68.85	PWG 2.0-52-2PK0.141 - 0.046	72.19	72.19	PWG 2.0-52-3PK0.143 - 0.047	73.66	73.66	PWG 2.0-52-4PK0.146 - 0.048	77.44	77.44
PWG 2.0-55-1PK0.139 - 0.045	76.17	76.17	PWG 2.0-55-2PK0.141 - 0.046	79.86	79.86	PWG 2.0-55-3PK0.143 - 0.047	81.48	81.48	PWG 2.0-55-4PK0.146 - 0.048	87.14	87.14
PWG 2.0-58-1PK0.139 - 0.045	83.81	83.81	PWG 2.0-58-2PK0.141 - 0.046	87.88	87.88	PWG 2.0-58-3PK0.143 - 0.047	89.66	89.66	PWG 2.0-58-4PK0.146 - 0.048	95.88	95.88
PWG 2.0-60-1PK0.139 - 0.045	91.83	91.83	PWG 2.0-60-2PK0.141 - 0.046	93.41	93.41	PWG 2.0-60-3PK0.143 - 0.047	96.89	96.89	PWG 2.0-60-4PK0.146 - 0.048	101.92	101.92
PWG 2.0-62-1PK0.139 - 0.045	97.41	97.41	PWG 2.0-62-2PK0.141 - 0.046	99.08	99.08	PWG 2.0-62-3PK0.143 - 0.047	102.78	102.78	PWG 2.0-62-4PK0.146 - 0.048	108.11	108.11

PWG-DL 2.5m_x

PRECISION GEARS

2.5 Module Delrin Wormwheel α 20° PA

Quality Grade Wormwheel 8e25 DIN 3974/3967



DIN 3967 Tooth Thickness tol.

Part Number				No. of Teeth z_2	Centre Distance a	Ref. Dia. d_2	Wheel Throat d_{a2}	Tip Dia. d_{e2}	Bore Dia. H7 d_j	Max. Bore Dia. H7 d_j	Hub Dia. D_{hub}
1 Start	2 Start	3 Start	4 Start								
PWG 2.5-15-1DL	PWG 2.5-15-2DL	PWG 2.5-15-3DL	PWG 2.5-15-4DL	15	36.25	37.5	42.5	45.0	10	16	30
PWG 2.5-16-1DL	PWG 2.5-16-2DL	PWG 2.5-16-3DL	PWG 2.5-16-4DL	16	37.50	40.0	45.0	47.5	10	16	30
PWG 2.5-17-1DL	PWG 2.5-17-2DL	PWG 2.5-17-3DL	PWG 2.5-17-4DL	17	38.75	42.5	47.5	50.0	10	16	30
PWG 2.5-18-1DL	PWG 2.5-18-2DL	PWG 2.5-18-3DL	PWG 2.5-18-4DL	18	40.00	45.0	50.0	52.5	10	16	30
PWG 2.5-19-1DL	PWG 2.5-19-2DL	PWG 2.5-19-3DL	PWG 2.5-19-4DL	19	41.25	47.5	52.5	55.0	10	16	30
PWG 2.5-20-1DL	PWG 2.5-20-2DL	PWG 2.5-20-3DL	PWG 2.5-20-4DL	20	42.50	50.0	55.0	57.5	10	16	30
PWG 2.5-21-1DL	PWG 2.5-21-2DL	PWG 2.5-21-3DL	PWG 2.5-21-4DL	21	43.75	52.5	57.5	60.0	12	25	45
PWG 2.5-22-1DL	PWG 2.5-22-2DL	PWG 2.5-22-3DL	PWG 2.5-22-4DL	22	45.00	55.0	60.0	62.5	12	25	45
PWG 2.5-23-1DL	PWG 2.5-23-2DL	PWG 2.5-23-3DL	PWG 2.5-23-4DL	23	46.25	57.5	62.5	65.0	12	25	45
PWG 2.5-24-1DL	PWG 2.5-24-2DL	PWG 2.5-24-3DL	PWG 2.5-24-4DL	24	47.50	60.0	65.0	67.5	12	25	45
PWG 2.5-25-1DL	PWG 2.5-25-2DL	PWG 2.5-25-3DL	PWG 2.5-25-4DL	25	48.75	62.5	67.5	70.0	12	25	45
PWG 2.5-26-1DL	PWG 2.5-26-2DL	PWG 2.5-26-3DL	PWG 2.5-26-4DL	26	50.00	65.0	70.0	72.5	12	25	45
PWG 2.5-27-1DL	PWG 2.5-27-2DL	PWG 2.5-27-3DL	PWG 2.5-27-4DL	27	51.25	67.5	72.5	75.0	12	25	45
PWG 2.5-28-1DL	PWG 2.5-28-2DL	PWG 2.5-28-3DL	PWG 2.5-28-4DL	28	52.50	70.0	75.0	77.5	12	25	45
PWG 2.5-29-1DL	PWG 2.5-29-2DL	PWG 2.5-29-3DL	PWG 2.5-29-4DL	29	53.75	72.5	77.5	80.0	14	30	55
PWG 2.5-30-1DL	PWG 2.5-30-2DL	PWG 2.5-30-3DL	PWG 2.5-30-4DL	30	55.00	75.0	80.0	82.5	14	30	55
PWG 2.5-32-1DL	PWG 2.5-32-2DL	PWG 2.5-32-3DL	PWG 2.5-32-4DL	32	57.50	80.0	85.0	87.5	14	30	55
PWG 2.5-35-1DL	PWG 2.5-35-2DL	PWG 2.5-35-3DL	PWG 2.5-35-4DL	35	61.25	87.5	92.5	95.0	14	30	55
PWG 2.5-38-1DL	PWG 2.5-38-2DL	PWG 2.5-38-3DL	PWG 2.5-38-4DL	38	65.00	95.0	100.0	102.5	14	30	55
PWG 2.5-40-1DL	PWG 2.5-40-2DL	PWG 2.5-40-3DL	PWG 2.5-40-4DL	40	67.50	100.0	105.0	107.5	14	30	55
PWG 2.5-42-1DL	PWG 2.5-42-2DL	PWG 2.5-42-3DL	PWG 2.5-42-4DL	42	70.00	105.0	110.0	112.5	16	40	65
PWG 2.5-45-1DL	PWG 2.5-45-2DL	PWG 2.5-45-3DL	PWG 2.5-45-4DL	45	73.75	112.5	117.5	120.0	16	40	65
PWG 2.5-48-1DL	PWG 2.5-48-2DL	PWG 2.5-48-3DL	PWG 2.5-48-4DL	48	77.50	120.0	125.0	127.5	16	40	65
PWG 2.5-50-1DL	PWG 2.5-50-2DL	PWG 2.5-50-3DL	PWG 2.5-50-4DL	50	80.00	125.0	130.0	132.5	16	40	65

PWG-DL 2.5m_x

PRECISION GEARS

2.5 Module Delrin Wormwheel α 20° PA

Quality Grade Wormwheel 8e25 DIN 3974/3967

Standard Part **PWG 2.5-50 1**

Modified Part **PWG 2.5-50 3 DL 20 K T**

PWG - Precision Worm Gear
Quality Grade 8e DIN 3974/3967
Other Quality Grades available.
See Technical

m_x Module - Cut with DIN 867 1.25/0.20/1.0
Ref. Tooth Profile Topping WD = 2.25 x m_x

Number of Teeth **z**

Number of Starts on Worm
Ratio = $\frac{(z_2)}{(z_1)}$ No. of teeth on wheel
No. of starts on worm

T = 1 x Tapped hole **2T** = 2 x Tapped holes
P = 1 x Pin Hole **PT** = 1 x Pin Hole through
All threads metric as standard.
See Technical

K- Keyway supplied to
DIN 6885 - Js9 tolerance.
See Technical

To specify different bore enter size required
Example: 20 = 20mm H7 etc
See Technical

Material: Delrin POM (white).

Material: Delrin POM (white). RH lead angle.

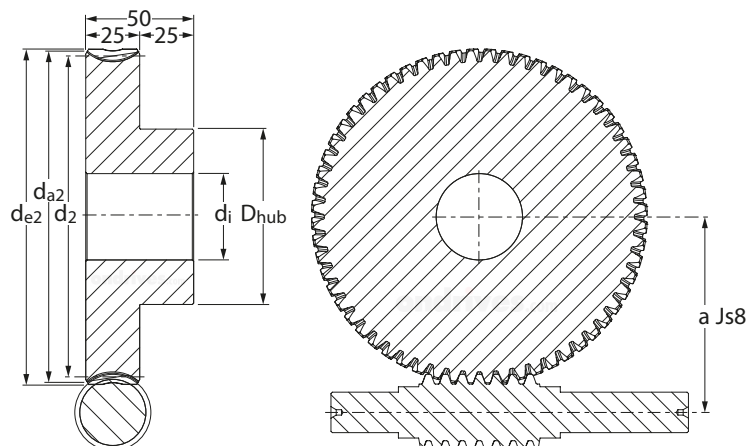
Part Number 1 Start	Backlash (mm) <i>j_{t,e}(max) j_{t,i}(min)</i>	Torque T ₂ Nm n ₂ 100 Rpm	Part Number 2 Start	Backlash (mm) <i>j_{t,e}(max) j_{t,i}(min)</i>	Torque T ₂ Nm n ₂ 100 Rpm	Part Number 3 Start	Backlash (mm) <i>j_{t,e}(max) j_{t,i}(min)</i>	Torque T ₂ Nm n ₂ 100 Rpm	Part Number 4 Start	Backlash (mm) <i>j_{t,e}(max) j_{t,i}(min)</i>	Torque T ₂ Nm n ₂ 100 Rpm
PWG 2.5-15-1DL	0.116 - 0.038	11.19	PWG 2.5-15-2DL	0.117 - 0.038	10.95	PWG 2.5-15-3DL	0.119 - 0.039	11.19	PWG 2.5-15-4DL	0.121 - 0.039	11.03
PWG 2.5-16-1DL	0.116 - 0.038	12.57	PWG 2.5-16-2DL	0.117 - 0.038	12.30	PWG 2.5-16-3DL	0.119 - 0.039	12.56	PWG 2.5-16-4DL	0.121 - 0.039	12.39
PWG 2.5-17-1DL	0.116 - 0.038	14.26	PWG 2.5-17-2DL	0.117 - 0.038	13.71	PWG 2.5-17-3DL	0.119 - 0.039	14.28	PWG 2.5-17-4DL	0.121 - 0.039	13.82
PWG 2.5-18-1DL	0.116 - 0.038	15.80	PWG 2.5-18-2DL	0.117 - 0.038	15.20	PWG 2.5-18-3DL	0.119 - 0.039	15.82	PWG 2.5-18-4DL	0.121 - 0.039	15.31
PWG 2.5-19-1DL	0.116 - 0.038	17.42	PWG 2.5-19-2DL	0.117 - 0.038	16.75	PWG 2.5-19-3DL	0.119 - 0.039	17.44	PWG 2.5-19-4DL	0.121 - 0.039	16.88
PWG 2.5-20-1DL	0.116 - 0.038	19.43	PWG 2.5-20-2DL	0.117 - 0.038	18.71	PWG 2.5-20-3DL	0.119 - 0.039	19.13	PWG 2.5-20-4DL	0.121 - 0.039	18.51
PWG 2.5-21-1DL	0.139 - 0.045	21.21	PWG 2.5-21-2DL	0.140 - 0.046	20.79	PWG 2.5-21-3DL	0.142 - 0.046	20.88	PWG 2.5-21-4DL	0.144 - 0.047	20.63
PWG 2.5-22-1DL	0.139 - 0.045	23.06	PWG 2.5-22-2DL	0.140 - 0.046	22.61	PWG 2.5-22-3DL	0.142 - 0.046	23.13	PWG 2.5-22-4DL	0.144 - 0.047	22.44
PWG 2.5-23-1DL	0.139 - 0.045	24.98	PWG 2.5-23-2DL	0.140 - 0.046	24.49	PWG 2.5-23-3DL	0.142 - 0.046	25.06	PWG 2.5-23-4DL	0.144 - 0.047	24.30
PWG 2.5-24-1DL	0.139 - 0.045	26.97	PWG 2.5-24-2DL	0.140 - 0.046	26.44	PWG 2.5-24-3DL	0.142 - 0.046	27.05	PWG 2.5-24-4DL	0.144 - 0.047	26.77
PWG 2.5-25-1DL	0.139 - 0.045	29.03	PWG 2.5-25-2DL	0.140 - 0.046	28.96	PWG 2.5-25-3DL	0.142 - 0.046	29.11	PWG 2.5-25-4DL	0.144 - 0.047	28.82
PWG 2.5-26-1DL	0.139 - 0.045	31.67	PWG 2.5-26-2DL	0.140 - 0.046	31.07	PWG 2.5-26-3DL	0.142 - 0.046	31.24	PWG 2.5-26-4DL	0.144 - 0.047	31.54
PWG 2.5-27-1DL	0.139 - 0.045	33.90	PWG 2.5-27-2DL	0.140 - 0.046	33.26	PWG 2.5-27-3DL	0.142 - 0.046	33.44	PWG 2.5-27-4DL	0.144 - 0.047	33.76
PWG 2.5-28-1DL	0.139 - 0.045	36.19	PWG 2.5-28-2DL	0.140 - 0.046	35.51	PWG 2.5-28-3DL	0.142 - 0.046	35.70	PWG 2.5-28-4DL	0.144 - 0.047	36.04
PWG 2.5-29-1DL	0.139 - 0.045	38.55	PWG 2.5-29-2DL	0.140 - 0.046	37.82	PWG 2.5-29-3DL	0.142 - 0.046	38.03	PWG 2.5-29-4DL	0.144 - 0.047	38.39
PWG 2.5-30-1DL	0.139 - 0.045	41.98	PWG 2.5-30-2DL	0.140 - 0.046	40.20	PWG 2.5-30-3DL	0.142 - 0.046	41.16	PWG 2.5-30-4DL	0.144 - 0.047	41.61
PWG 2.5-32-1DL	0.139 - 0.045	47.16	PWG 2.5-32-2DL	0.140 - 0.046	45.93	PWG 2.5-32-3DL	0.142 - 0.046	47.05	PWG 2.5-32-4DL	0.144 - 0.047	46.74
PWG 2.5-35-1DL	0.139 - 0.045	55.41	PWG 2.5-35-2DL	0.140 - 0.046	53.97	PWG 2.5-35-3DL	0.142 - 0.046	55.29	PWG 2.5-35-4DL	0.144 - 0.047	54.92
PWG 2.5-38-1DL	0.139 - 0.045	64.77	PWG 2.5-38-2DL	0.140 - 0.046	62.59	PWG 2.5-38-3DL	0.142 - 0.046	65.24	PWG 2.5-38-4DL	0.144 - 0.047	63.68
PWG 2.5-40-1DL	0.139 - 0.045	71.03	PWG 2.5-40-2DL	0.140 - 0.046	69.80	PWG 2.5-40-3DL	0.142 - 0.046	71.54	PWG 2.5-40-4DL	0.144 - 0.047	71.18
PWG 2.5-42-1DL	0.139 - 0.045	78.78	PWG 2.5-42-2DL	0.140 - 0.046	76.21	PWG 2.5-42-3DL	0.142 - 0.046	78.11	PWG 2.5-42-4DL	0.144 - 0.047	77.71
PWG 2.5-45-1DL	0.139 - 0.045	89.20	PWG 2.5-45-2DL	0.140 - 0.046	86.29	PWG 2.5-45-3DL	0.142 - 0.046	88.44	PWG 2.5-45-4DL	0.144 - 0.047	87.99
PWG 2.5-48-1DL	0.139 - 0.045	100.46	PWG 2.5-48-2DL	0.140 - 0.046	96.92	PWG 2.5-48-3DL	0.142 - 0.046	101.05	PWG 2.5-48-4DL	0.144 - 0.047	98.83
PWG 2.5-50-1DL	0.139 - 0.045	108.12	PWG 2.5-50-2DL	0.140 - 0.046	104.31	PWG 2.5-50-3DL	0.142 - 0.046	108.75	PWG 2.5-50-4DL	0.144 - 0.047	106.37

PWG-PK 2.5m_x

PRECISION GEARS

2.5 Module PEEK® Wormwheel α 20° PA

Quality Grade Wormwheel 8e25 DIN 3974/3967



DIN 3967 Tooth Thickness tol.

Part Number				No. of Teeth z_2	Centre Distance a	Ref. Dia. d_2	Wheel Throat d_{a2}	Tip Dia. d_{e2}	Bore Dia. H7 d_i	Max. Bore Dia. H7 d_j	Hub Dia. D_{hub}
1 Start	2 Start	3 Start	4 Start								
PWG 2.5-15-1PK	PWG 2.5-15-2PK	PWG 2.5-15-3PK	PWG 2.5-15-4PK	15	36.25	37.5	42.5	45.0	10	16	30
PWG 2.5-16-1PK	PWG 2.5-16-2PK	PWG 2.5-16-3PK	PWG 2.5-16-4PK	16	37.50	40.0	45.0	47.5	10	16	30
PWG 2.5-17-1PK	PWG 2.5-17-2PK	PWG 2.5-17-3PK	PWG 2.5-17-4PK	17	38.75	42.5	47.5	50.0	10	16	30
PWG 2.5-18-1PK	PWG 2.5-18-2PK	PWG 2.5-18-3PK	PWG 2.5-18-4PK	18	40.00	45.0	50.0	52.5	10	16	30
PWG 2.5-19-1PK	PWG 2.5-19-2PK	PWG 2.5-19-3PK	PWG 2.5-19-4PK	19	41.25	47.5	52.5	55.0	10	16	30
PWG 2.5-20-1PK	PWG 2.5-20-2PK	PWG 2.5-20-3PK	PWG 2.5-20-4PK	20	42.50	50.0	55.0	57.5	10	16	30
PWG 2.5-21-1PK	PWG 2.5-21-2PK	PWG 2.5-21-3PK	PWG 2.5-21-4PK	21	43.75	52.5	57.5	60.0	12	25	45
PWG 2.5-22-1PK	PWG 2.5-22-2PK	PWG 2.5-22-3PK	PWG 2.5-22-4PK	22	45.00	55.0	60.0	62.5	12	25	45
PWG 2.5-23-1PK	PWG 2.5-23-2PK	PWG 2.5-23-3PK	PWG 2.5-23-4PK	23	46.25	57.5	62.5	65.0	12	25	45
PWG 2.5-24-1PK	PWG 2.5-24-2PK	PWG 2.5-24-3PK	PWG 2.5-24-4PK	24	47.50	60.0	65.0	67.5	12	25	45
PWG 2.5-25-1PK	PWG 2.5-25-2PK	PWG 2.5-25-3PK	PWG 2.5-25-4PK	25	48.75	62.5	67.5	70.0	12	25	45
PWG 2.5-26-1PK	PWG 2.5-26-2PK	PWG 2.5-26-3PK	PWG 2.5-26-4PK	26	50.00	65.0	70.0	72.5	12	25	45
PWG 2.5-27-1PK	PWG 2.5-27-2PK	PWG 2.5-27-3PK	PWG 2.5-27-4PK	27	51.25	67.5	72.5	75.0	12	25	45
PWG 2.5-28-1PK	PWG 2.5-28-2PK	PWG 2.5-28-3PK	PWG 2.5-28-4PK	28	52.50	70.0	75.0	77.5	12	25	45
PWG 2.5-29-1PK	PWG 2.5-29-2PK	PWG 2.5-29-3PK	PWG 2.5-29-4PK	29	53.75	72.5	77.5	80.0	14	30	55
PWG 2.5-30-1PK	PWG 2.5-30-2PK	PWG 2.5-30-3PK	PWG 2.5-30-4PK	30	55.00	75.0	80.0	82.5	14	30	55
PWG 2.5-32-1PK	PWG 2.5-32-2PK	PWG 2.5-32-3PK	PWG 2.5-32-4PK	32	57.50	80.0	85.0	87.5	14	30	55
PWG 2.5-35-1PK	PWG 2.5-35-2PK	PWG 2.5-35-3PK	PWG 2.5-35-4PK	35	61.25	87.5	92.5	95.0	14	30	55
PWG 2.5-38-1PK	PWG 2.5-38-2PK	PWG 2.5-38-3PK	PWG 2.5-38-4PK	38	65.00	95.0	100.0	102.5	14	30	55
PWG 2.5-40-1PK	PWG 2.5-40-2PK	PWG 2.5-40-3PK	PWG 2.5-40-4PK	40	67.50	100.0	105.0	107.5	14	30	55
PWG 2.5-42-1PK	PWG 2.5-42-2PK	PWG 2.5-42-3PK	PWG 2.5-42-4PK	42	70.00	105.0	110.0	112.5	16	40	65
PWG 2.5-45-1PK	PWG 2.5-45-2PK	PWG 2.5-45-3PK	PWG 2.5-45-4PK	45	73.75	112.5	117.5	120.0	16	40	65
PWG 2.5-48-1PK	PWG 2.5-48-2PK	PWG 2.5-48-3PK	PWG 2.5-48-4PK	48	77.50	120.0	125.0	127.5	16	40	65
PWG 2.5-50-1PK	PWG 2.5-50-2PK	PWG 2.5-50-3PK	PWG 2.5-50-4PK	50	80.00	125.0	130.0	132.5	16	40	65

PWG-PK 2.5m_x

PRECISION GEARS

2.5 Module PEEK® Wormwheel α 20° PA

Quality Grade Wormwheel 8e25 DIN 3974/3967

Standard Part **PWG 2.5 50 1**

Modified Part **PWG 2.5 50 3 PK 20 K T**

PWG - Precision Worm Gear
Quality Grade 8e DIN 3974/3967
Other Quality Grades available.
See Technical

m_x Module - Cut with DIN 867 1.25/0.20/1.0
Ref. Tooth Profile Topping WD = 2.25 x m_x

Number of Teeth **z**

Number of Starts on Worm
Ratio = $\frac{(z_2) \text{ No. of teeth on wheel}}{(z_1) \text{ No. of starts on worm}}$

T = 1 x Tapped hole **2T** = 2 x Tapped holes
P = 1 x Pin Hole **PT** = 1 x Pin Hole through
All threads metric as standard.
See Technical

K- Keyway supplied to
DIN 6885 - Js9 tolerance.
See Technical

To specify different bore enter size required
Example: 20 = 20mm H7 etc
See Technical

Material: PEEK GF30® (light brown).

Material: PEEK GF30® (light brown), RH lead angle.

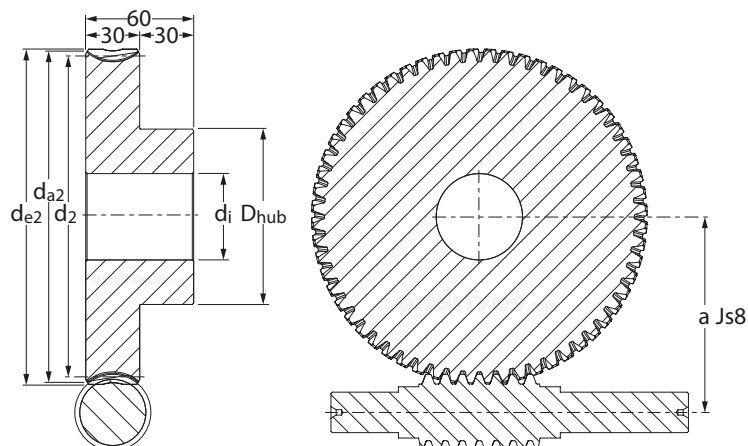
Part Number 1 Start	Backlash (mm) j _{t,e} (max) j _{t,i} (min)	Torque T ₂ Nm n ₂ 100 Rpm	Part Number 2 Start	Backlash (mm) j _{t,e} (max) j _{t,i} (min)	Torque T ₂ Nm n ₂ 100 Rpm	Part Number 3 Start	Backlash (mm) j _{t,e} (max) j _{t,i} (min)	Torque T ₂ Nm n ₂ 100 Rpm	Part Number 4 Start	Backlash (mm) j _{t,e} (max) j _{t,i} (min)	Torque T ₂ Nm n ₂ 100 Rpm
PWG 2.5-15-1PK	0.116 - 0.038	13.43	PWG 2.5-15-2PK	0.117 - 0.038	13.14	PWG 2.5-15-3PK	0.119 - 0.039	13.42	PWG 2.5-15-4PK	0.121 - 0.039	13.24
PWG 2.5-16-1PK	0.116 - 0.038	15.08	PWG 2.5-16-2PK	0.117 - 0.038	14.76	PWG 2.5-16-3PK	0.119 - 0.039	15.08	PWG 2.5-16-4PK	0.121 - 0.039	14.87
PWG 2.5-17-1PK	0.116 - 0.038	17.11	PWG 2.5-17-2PK	0.117 - 0.038	16.46	PWG 2.5-17-3PK	0.119 - 0.039	17.13	PWG 2.5-17-4PK	0.121 - 0.039	16.58
PWG 2.5-18-1PK	0.116 - 0.038	18.96	PWG 2.5-18-2PK	0.117 - 0.038	18.24	PWG 2.5-18-3PK	0.119 - 0.039	18.99	PWG 2.5-18-4PK	0.121 - 0.039	18.38
PWG 2.5-19-1PK	0.116 - 0.038	20.90	PWG 2.5-19-2PK	0.117 - 0.038	20.11	PWG 2.5-19-3PK	0.119 - 0.039	20.93	PWG 2.5-19-4PK	0.121 - 0.039	20.26
PWG 2.5-20-1PK	0.116 - 0.038	23.31	PWG 2.5-20-2PK	0.117 - 0.038	22.45	PWG 2.5-20-3PK	0.119 - 0.039	22.95	PWG 2.5-20-4PK	0.121 - 0.039	22.22
PWG 2.5-21-1PK	0.139 - 0.045	25.45	PWG 2.5-21-2PK	0.140 - 0.046	24.95	PWG 2.5-21-3PK	0.142 - 0.046	25.06	PWG 2.5-21-4PK	0.144 - 0.047	24.76
PWG 2.5-22-1PK	0.139 - 0.045	27.67	PWG 2.5-22-2PK	0.140 - 0.046	27.13	PWG 2.5-22-3PK	0.142 - 0.046	27.76	PWG 2.5-22-4PK	0.144 - 0.047	26.92
PWG 2.5-23-1PK	0.139 - 0.045	29.98	PWG 2.5-23-2PK	0.140 - 0.046	29.39	PWG 2.5-23-3PK	0.142 - 0.046	30.07	PWG 2.5-23-4PK	0.144 - 0.047	29.17
PWG 2.5-24-1PK	0.139 - 0.045	32.37	PWG 2.5-24-2PK	0.140 - 0.046	31.73	PWG 2.5-24-3PK	0.142 - 0.046	32.46	PWG 2.5-24-4PK	0.144 - 0.047	32.13
PWG 2.5-25-1PK	0.139 - 0.045	34.84	PWG 2.5-25-2PK	0.140 - 0.046	34.75	PWG 2.5-25-3PK	0.142 - 0.046	34.94	PWG 2.5-25-4PK	0.144 - 0.047	34.58
PWG 2.5-26-1PK	0.139 - 0.045	38.01	PWG 2.5-26-2PK	0.140 - 0.046	37.29	PWG 2.5-26-3PK	0.142 - 0.046	37.49	PWG 2.5-26-4PK	0.144 - 0.047	37.85
PWG 2.5-27-1PK	0.139 - 0.045	40.68	PWG 2.5-27-2PK	0.140 - 0.046	39.91	PWG 2.5-27-3PK	0.142 - 0.046	40.13	PWG 2.5-27-4PK	0.144 - 0.047	40.51
PWG 2.5-28-1PK	0.139 - 0.045	43.43	PWG 2.5-28-2PK	0.140 - 0.046	42.61	PWG 2.5-28-3PK	0.142 - 0.046	42.84	PWG 2.5-28-4PK	0.144 - 0.047	43.25
PWG 2.5-29-1PK	0.139 - 0.045	46.26	PWG 2.5-29-2PK	0.140 - 0.046	45.39	PWG 2.5-29-3PK	0.142 - 0.046	45.64	PWG 2.5-29-4PK	0.144 - 0.047	46.07
PWG 2.5-30-1PK	0.139 - 0.045	50.38	PWG 2.5-30-2PK	0.140 - 0.046	48.24	PWG 2.5-30-3PK	0.142 - 0.046	49.39	PWG 2.5-30-4PK	0.144 - 0.047	49.93
PWG 2.5-32-1PK	0.139 - 0.045	56.59	PWG 2.5-32-2PK	0.140 - 0.046	55.12	PWG 2.5-32-3PK	0.142 - 0.046	56.46	PWG 2.5-32-4PK	0.144 - 0.047	56.08
PWG 2.5-35-1PK	0.139 - 0.045	66.49	PWG 2.5-35-2PK	0.140 - 0.046	64.77	PWG 2.5-35-3PK	0.142 - 0.046	66.35	PWG 2.5-35-4PK	0.144 - 0.047	65.90
PWG 2.5-38-1PK	0.139 - 0.045	77.72	PWG 2.5-38-2PK	0.140 - 0.046	75.10	PWG 2.5-38-3PK	0.142 - 0.046	78.28	PWG 2.5-38-4PK	0.144 - 0.047	76.41
PWG 2.5-40-1PK	0.139 - 0.045	85.24	PWG 2.5-40-2PK	0.140 - 0.046	83.76	PWG 2.5-40-3PK	0.142 - 0.046	85.85	PWG 2.5-40-4PK	0.144 - 0.047	85.42
PWG 2.5-42-1PK	0.139 - 0.045	94.54	PWG 2.5-42-2PK	0.140 - 0.046	91.45	PWG 2.5-42-3PK	0.142 - 0.046	93.73	PWG 2.5-42-4PK	0.144 - 0.047	93.26
PWG 2.5-45-1PK	0.139 - 0.045	107.04	PWG 2.5-45-2PK	0.140 - 0.046	103.55	PWG 2.5-45-3PK	0.142 - 0.046	106.13	PWG 2.5-45-4PK	0.144 - 0.047	105.59
PWG 2.5-48-1PK	0.139 - 0.045	120.56	PWG 2.5-48-2PK	0.140 - 0.046	116.30	PWG 2.5-48-3PK	0.142 - 0.046	121.26	PWG 2.5-48-4PK	0.144 - 0.047	118.60
PWG 2.5-50-1PK	0.139 - 0.045	129.75	PWG 2.5-50-2PK	0.140 - 0.046	125.17	PWG 2.5-50-3PK	0.142 - 0.046	130.50	PWG 2.5-50-4PK	0.144 - 0.047	127.64

PWG-DL 3.0m_x

PRECISION GEARS

3.0 Module Delrin Wormwheel α 20° PA

Quality Grade Wormwheel 8e25 DIN 3974/3967



DIN 3967 Tooth Thickness tol.

Part Number				No. of Teeth z_2	Centre Distance a	Ref. Dia. d_2	Wheel Throat d_{a2}	Tip Dia. d_{e2}	Bore Dia. H7 d_i	Max. Bore Dia. H7 d_j	Hub Dia. D_{hub}
1 Start	2 Start	3 Start	4 Start								
PWG3.0-15-1DL	PWG3.0-15-2DL	PWG3.0-15-3DL	PWG3.0-15-4DL	15	42.5	45	51	54	12	30	35
PWG3.0-16-1DL	PWG3.0-16-2DL	PWG3.0-16-3DL	PWG3.0-16-4DL	16	44.0	48	54	57	12	30	35
PWG3.0-17-1DL	PWG3.0-17-2DL	PWG3.0-17-3DL	PWG3.0-17-4DL	17	45.5	51	57	60	12	30	35
PWG3.0-18-1DL	PWG3.0-18-2DL	PWG3.0-18-3DL	PWG3.0-18-4DL	18	47.0	54	60	63	12	30	35
PWG3.0-19-1DL	PWG3.0-19-2DL	PWG3.0-19-3DL	PWG3.0-19-4DL	19	48.5	57	63	66	12	30	35
PWG3.0-20-1DL	PWG3.0-20-2DL	PWG3.0-20-3DL	PWG3.0-20-4DL	20	50.0	60	66	69	12	30	35
PWG3.0-21-1DL	PWG3.0-21-2DL	PWG3.0-21-3DL	PWG3.0-21-4DL	21	51.5	63	69	72	14	30	50
PWG3.0-22-1DL	PWG3.0-22-2DL	PWG3.0-22-3DL	PWG3.0-22-4DL	22	53.0	66	72	75	14	30	50
PWG3.0-23-1DL	PWG3.0-23-2DL	PWG3.0-23-3DL	PWG3.0-23-4DL	23	54.5	69	75	78	14	30	50
PWG3.0-24-1DL	PWG3.0-24-2DL	PWG3.0-24-3DL	PWG3.0-24-4DL	24	56.0	72	78	81	14	30	50
PWG3.0-25-1DL	PWG3.0-25-2DL	PWG3.0-25-3DL	PWG3.0-25-4DL	25	57.5	75	81	84	14	30	50
PWG3.0-26-1DL	PWG3.0-26-2DL	PWG3.0-26-3DL	PWG3.0-26-4DL	26	59.0	78	84	87	14	30	50
PWG3.0-27-1DL	PWG3.0-27-2DL	PWG3.0-27-3DL	PWG3.0-27-4DL	27	60.5	81	87	90	14	30	50
PWG3.0-28-1DL	PWG3.0-28-2DL	PWG3.0-28-3DL	PWG3.0-28-4DL	28	62.0	84	90	93	14	30	50
PWG3.0-29-1DL	PWG3.0-29-2DL	PWG3.0-29-3DL	PWG3.0-29-4DL	29	63.5	87	93	96	16	40	65
PWG3.0-30-1DL	PWG3.0-30-2DL	PWG3.0-30-3DL	PWG3.0-30-4DL	30	65.0	90	96	99	16	40	65
PWG3.0-32-1DL	PWG3.0-32-2DL	PWG3.0-32-3DL	PWG3.0-32-4DL	32	68.0	96	102	105	16	40	65
PWG3.0-35-1DL	PWG3.0-35-2DL	PWG3.0-35-3DL	PWG3.0-35-4DL	35	72.5	105	111	114	16	40	65
PWG3.0-38-1DL	PWG3.0-38-2DL	PWG3.0-38-3DL	PWG3.0-38-4DL	38	77.0	114	120	123	16	40	65
PWG3.0-40-1DL	PWG3.0-40-2DL	PWG3.0-40-3DL	PWG3.0-40-4DL	40	80.0	120	126	129	16	40	65

PWG-DL 3.0m_x

PRECISION GEARS

3.0 Module Delrin Wormwheel α 20° PA

Quality Grade Wormwheel 8e25 DIN 3974/3967

Standard Part **PWG 3.0-40 1**

Modified Part **PWG 3.0-40 3 DL 20 K T**

PWG - Precision Worm Gear
Quality Grade 8e DIN 3974/3967
Other Quality Grades available.
See Technical

m_x Module - Cut with DIN 867 1.25/0.20/1.0
Ref. Tooth Profile Topping WD = 2.25 x m_x

Number of Teeth **z**

Number of Starts on Worm
Ratio = $\frac{(z_2) \text{ No. of teeth on wheel}}{(z_1) \text{ No. of starts on worm}}$

T = 1 x Tapped hole **2T** = 2 x Tapped holes
P = 1 x Pin Hole **PT** = 1 x Pin Hole through
All threads metric as standard.
See Technical

K - Keyway supplied to
DIN 6885 - Js9 tolerance.
See Technical

To specify different bore enter size required
Example: 20 = 20mm H7 etc
See Technical

Material: Delrin POM (white).

Material: Delrin POM (white). RH lead angle.

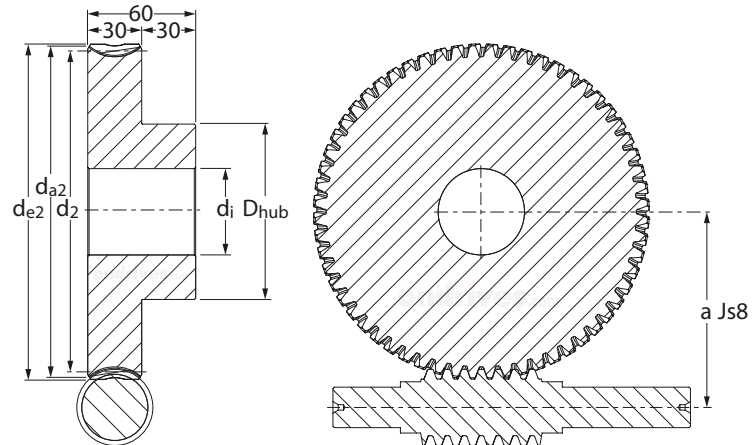
Part Number 1 Start	Backlash (mm) <i>j_{t,e}(max) j_{t,i}(min)</i>	Torque T ₂ Nm n ₂ 100 Rpm	Part Number 2 Start	Backlash (mm) <i>j_{t,e}(max) j_{t,i}(min)</i>	Torque T ₂ Nm n ₂ 100 Rpm	Part Number 3 Start	Backlash (mm) <i>j_{t,e}(max) j_{t,i}(min)</i>	Torque T ₂ Nm n ₂ 100 Rpm	Part Number 4 Start	Backlash (mm) <i>j_{t,e}(max) j_{t,i}(min)</i>	Torque T ₂ Nm n ₂ 100 Rpm
PWG3.0-15-1DL	0.117 - 0.038	16.59	PWG3.0-15-2DL	0.117 - 0.038	16.74	PWG3.0-15-3DL	0.119 - 0.039	16.65	PWG3.0-15-4DL	0.140 - 0.048	17.71
PWG3.0-16-1DL	0.117 - 0.038	18.64	PWG3.0-16-2DL	0.117 - 0.038	18.80	PWG3.0-16-3DL	0.119 - 0.039	18.70	PWG3.0-16-4DL	0.140 - 0.048	19.89
PWG3.0-17-1DL	0.137 - 0.048	20.79	PWG3.0-17-2DL	0.138 - 0.048	21.37	PWG3.0-17-3DL	0.140 - 0.049	21.29	PWG3.0-17-4DL	0.161 - 0.058	22.18
PWG3.0-18-1DL	0.137 - 0.048	23.04	PWG3.0-18-2DL	0.138 - 0.048	23.69	PWG3.0-18-3DL	0.140 - 0.049	24.07	PWG3.0-18-4DL	0.161 - 0.058	25.11
PWG3.0-19-1DL	0.137 - 0.048	25.86	PWG3.0-19-2DL	0.138 - 0.048	26.11	PWG3.0-19-3DL	0.140 - 0.049	26.53	PWG3.0-19-4DL	0.161 - 0.058	27.68
PWG3.0-20-1DL	0.137 - 0.048	28.36	PWG3.0-20-2DL	0.138 - 0.048	28.63	PWG3.0-20-3DL	0.140 - 0.049	29.68	PWG3.0-20-4DL	0.161 - 0.058	30.35
PWG3.0-21-1DL	0.139 - 0.045	31.53	PWG3.0-21-2DL	0.140 - 0.046	31.26	PWG3.0-21-3DL	0.142 - 0.046	32.41	PWG3.0-21-4DL	0.164 - 0.056	33.14
PWG3.0-22-1DL	0.139 - 0.045	34.29	PWG3.0-22-2DL	0.140 - 0.046	33.99	PWG3.0-22-3DL	0.142 - 0.046	35.93	PWG3.0-22-4DL	0.164 - 0.056	36.79
PWG3.0-23-1DL	0.139 - 0.045	37.14	PWG3.0-23-2DL	0.140 - 0.046	36.83	PWG3.0-23-3DL	0.142 - 0.046	39.67	PWG3.0-23-4DL	0.164 - 0.056	39.85
PWG3.0-24-1DL	0.139 - 0.045	40.81	PWG3.0-24-2DL	0.140 - 0.046	40.51	PWG3.0-24-3DL	0.142 - 0.046	42.83	PWG3.0-24-4DL	0.164 - 0.056	43.02
PWG3.0-25-1DL	0.139 - 0.045	43.93	PWG3.0-25-2DL	0.140 - 0.046	43.60	PWG3.0-25-3DL	0.142 - 0.046	46.09	PWG3.0-25-4DL	0.164 - 0.056	47.25
PWG3.0-26-1DL	0.139 - 0.045	47.14	PWG3.0-26-2DL	0.140 - 0.046	46.78	PWG3.0-26-3DL	0.142 - 0.046	49.47	PWG3.0-26-4DL	0.164 - 0.056	50.70
PWG3.0-27-1DL	0.139 - 0.045	50.90	PWG3.0-27-2DL	0.140 - 0.046	50.07	PWG3.0-27-3DL	0.142 - 0.046	52.94	PWG3.0-27-4DL	0.164 - 0.056	54.27
PWG3.0-28-1DL	0.139 - 0.045	54.34	PWG3.0-28-2DL	0.140 - 0.046	53.46	PWG3.0-28-3DL	0.142 - 0.046	56.53	PWG3.0-28-4DL	0.164 - 0.056	57.94
PWG3.0-29-1DL	0.139 - 0.045	58.38	PWG3.0-29-2DL	0.140 - 0.046	56.95	PWG3.0-29-3DL	0.142 - 0.046	60.21	PWG3.0-29-4DL	0.164 - 0.056	62.95
PWG3.0-30-1DL	0.139 - 0.045	62.06	PWG3.0-30-2DL	0.140 - 0.046	60.53	PWG3.0-30-3DL	0.142 - 0.046	64.00	PWG3.0-30-4DL	0.164 - 0.056	66.91
PWG3.0-32-1DL	0.139 - 0.045	69.70	PWG3.0-32-2DL	0.140 - 0.046	67.99	PWG3.0-32-3DL	0.142 - 0.046	73.24	PWG3.0-32-4DL	0.164 - 0.056	75.15
PWG3.0-35-1DL	0.139 - 0.045	81.90	PWG3.0-35-2DL	0.140 - 0.046	79.89	PWG3.0-35-3DL	0.142 - 0.046	86.06	PWG3.0-35-4DL	0.164 - 0.056	90.04
PWG3.0-38-1DL	0.139 - 0.045	98.25	PWG3.0-38-2DL	0.140 - 0.046	94.35	PWG3.0-38-3DL	0.142 - 0.046	99.79	PWG3.0-38-4DL	0.164 - 0.056	104.41
PWG3.0-40-1DL	0.139 - 0.045	107.75	PWG3.0-40-2DL	0.140 - 0.046	103.47	PWG3.0-40-3DL	0.142 - 0.046	109.44	PWG3.0-40-4DL	0.164 - 0.056	114.51

PWG-PK 3.0m_x

PRECISION GEARS

3.0 Module PEEK® Wormwheel α 20° PA

Quality Grade Wormwheel 8e25 DIN 3974/3967



DIN 3967 Tooth Thickness tol.

Part Number				No. of Teeth z_2	Centre Distance a	Ref. Dia. d_2	Wheel Throat d_{a2}	Tip Dia. d_{e2}	Bore Dia. H7 d_i	Max. Bore Dia. H7 d_j	Hub Dia. D_{hub}
1 Start	2 Start	3 Start	4 Start								
PWG3.0-15-1PK	PWG3.0-15-2PK	PWG3.0-15-3PK	PWG3.0-15-4PK	15	42.5	45	51	54	12	30	35
PWG3.0-16-1PK	PWG3.0-16-2PK	PWG3.0-16-3PK	PWG3.0-16-4PK	16	44.0	48	54	57	12	30	35
PWG3.0-17-1PK	PWG3.0-17-2PK	PWG3.0-17-3PK	PWG3.0-17-4PK	17	45.5	51	57	60	12	30	35
PWG3.0-18-1PK	PWG3.0-18-2PK	PWG3.0-18-3PK	PWG3.0-18-4PK	18	47.0	54	60	63	12	30	35
PWG3.0-19-1PK	PWG3.0-19-2PK	PWG3.0-19-3PK	PWG3.0-19-4PK	19	48.5	57	63	66	12	30	35
PWG3.0-20-1PK	PWG3.0-20-2PK	PWG3.0-20-3PK	PWG3.0-20-4PK	20	50.0	60	66	69	12	30	35
PWG3.0-21-1PK	PWG3.0-21-2PK	PWG3.0-21-3PK	PWG3.0-21-4PK	21	51.5	63	69	72	14	30	50
PWG3.0-22-1PK	PWG3.0-22-2PK	PWG3.0-22-3PK	PWG3.0-22-4PK	22	53.0	66	72	75	14	30	50
PWG3.0-23-1PK	PWG3.0-23-2PK	PWG3.0-23-3PK	PWG3.0-23-4PK	23	54.5	69	75	78	14	30	50
PWG3.0-24-1PK	PWG3.0-24-2PK	PWG3.0-24-3PK	PWG3.0-24-4PK	24	56.0	72	78	81	14	30	50
PWG3.0-25-1PK	PWG3.0-25-2PK	PWG3.0-25-3PK	PWG3.0-25-4PK	25	57.5	75	81	84	14	30	50
PWG3.0-26-1PK	PWG3.0-26-2PK	PWG3.0-26-3PK	PWG3.0-26-4PK	26	59.0	78	84	87	14	30	50
PWG3.0-27-1PK	PWG3.0-27-2PK	PWG3.0-27-3PK	PWG3.0-27-4PK	27	60.5	81	87	90	14	30	50
PWG3.0-28-1PK	PWG3.0-28-2PK	PWG3.0-28-3PK	PWG3.0-28-4PK	28	62.0	84	90	93	14	30	50
PWG3.0-29-1PK	PWG3.0-29-2PK	PWG3.0-29-3PK	PWG3.0-29-4PK	29	63.5	87	93	96	16	40	65
PWG3.0-30-1PK	PWG3.0-30-2PK	PWG3.0-30-3PK	PWG3.0-30-4PK	30	65.0	90	96	99	16	40	65
PWG3.0-32-1PK	PWG3.0-32-2PK	PWG3.0-32-3PK	PWG3.0-32-4PK	32	68.0	96	102	105	16	40	65
PWG3.0-35-1PK	PWG3.0-35-2PK	PWG3.0-35-3PK	PWG3.0-35-4PK	35	72.5	105	111	114	16	40	65
PWG3.0-38-1PK	PWG3.0-38-2PK	PWG3.0-38-3PK	PWG3.0-38-4PK	38	77.0	114	120	123	16	40	65
PWG3.0-40-1PK	PWG3.0-40-2PK	PWG3.0-40-3PK	PWG3.0-40-4PK	40	80.0	120	126	129	16	40	65

PWG-PK 3.0m_x

PRECISION GEARS

3.0 Module PEEK® Wormwheel α 20° PA

Quality Grade Wormwheel 8e25 DIN 3974/3967

Standard Part **PWG** **3.0** **40** **1**

Modified Part **PWG** **3.0** **40** **3** **PK** **20** **K** **T**

PWG - Precision Worm Gear
Quality Grade 8e DIN 3974/3967
Other Quality Grades available.
See Technical

m_x Module - Cut with DIN 867 1.25/0.20/1.0
Ref. Tooth Profile Topping WD = 2.25 x m_x

Number of Teeth **z**

Number of Starts on Worm
Ratio = $\frac{(z_2) \text{ No. of teeth on wheel}}{(z_1) \text{ No. of starts on worm}}$

T = 1 x Tapped hole **2T** = 2 x Tapped holes
P = 1 x Pin Hole **PT** = 1 x Pin Hole through
All threads metric as standard.
See Technical

K - Keyway supplied to
DIN 6885 - Js9 tolerance.
See Technical

To specify different bore enter size required
Example: 20 = 20mm H7 etc
See Technical

Material: PEEK GF30® (light brown).

Material: PEEK GF30® (light brown), RH lead angle.

Part Number 1 Start	Backlash (mm) j _{t,e} (max) j _{t,i} (min)	Torque T ₂ Nm n ₂ 100 Rpm	Part Number 2 Start	Backlash (mm) j _{t,e} (max) j _{t,i} (min)	Torque T ₂ Nm n ₂ 100 Rpm	Part Number 3 Start	Backlash (mm) j _{t,e} (max) j _{t,i} (min)	Torque T ₂ Nm n ₂ 100 Rpm	Part Number 4 Start	Backlash (mm) j _{t,e} (max) j _{t,i} (min)	Torque T ₂ Nm n ₂ 100 Rpm
PWG3.0-15-1PK	0.117 - 0.038	19.91	PWG3.0-15-2PK	0.117 - 0.038	20.09	PWG3.0-15-3PK	0.119 - 0.039	19.97	PWG3.0-15-4PK	0.140 - 0.048	21.25
PWG3.0-16-1PK	0.117 - 0.038	22.36	PWG3.0-16-2PK	0.117 - 0.038	22.56	PWG3.0-16-3PK	0.119 - 0.039	22.43	PWG3.0-16-4PK	0.140 - 0.048	23.87
PWG3.0-17-1PK	0.137 - 0.048	24.94	PWG3.0-17-2PK	0.138 - 0.048	25.65	PWG3.0-17-3PK	0.140 - 0.049	25.54	PWG3.0-17-4PK	0.161 - 0.058	26.62
PWG3.0-18-1PK	0.137 - 0.048	27.65	PWG3.0-18-2PK	0.138 - 0.048	28.43	PWG3.0-18-3PK	0.140 - 0.049	28.89	PWG3.0-18-4PK	0.161 - 0.058	30.13
PWG3.0-19-1PK	0.137 - 0.048	31.04	PWG3.0-19-2PK	0.138 - 0.048	31.33	PWG3.0-19-3PK	0.140 - 0.049	31.84	PWG3.0-19-4PK	0.161 - 0.058	33.21
PWG3.0-20-1PK	0.137 - 0.048	34.04	PWG3.0-20-2PK	0.138 - 0.048	34.36	PWG3.0-20-3PK	0.140 - 0.049	35.62	PWG3.0-20-4PK	0.161 - 0.058	36.42
PWG3.0-21-1PK	0.139 - 0.045	37.84	PWG3.0-21-2PK	0.140 - 0.046	37.52	PWG3.0-21-3PK	0.142 - 0.046	38.89	PWG3.0-21-4PK	0.164 - 0.056	39.77
PWG3.0-22-1PK	0.139 - 0.045	41.14	PWG3.0-22-2PK	0.140 - 0.046	40.79	PWG3.0-22-3PK	0.142 - 0.046	43.12	PWG3.0-22-4PK	0.164 - 0.056	44.14
PWG3.0-23-1PK	0.139 - 0.045	44.57	PWG3.0-23-2PK	0.140 - 0.046	44.19	PWG3.0-23-3PK	0.142 - 0.046	47.60	PWG3.0-23-4PK	0.164 - 0.056	47.82
PWG3.0-24-1PK	0.139 - 0.045	48.98	PWG3.0-24-2PK	0.140 - 0.046	48.61	PWG3.0-24-3PK	0.142 - 0.046	51.40	PWG3.0-24-4PK	0.164 - 0.056	51.63
PWG3.0-25-1PK	0.139 - 0.045	52.71	PWG3.0-25-2PK	0.140 - 0.046	52.32	PWG3.0-25-3PK	0.142 - 0.046	55.31	PWG3.0-25-4PK	0.164 - 0.056	56.70
PWG3.0-26-1PK	0.139 - 0.045	56.57	PWG3.0-26-2PK	0.140 - 0.046	56.14	PWG3.0-26-3PK	0.142 - 0.046	59.36	PWG3.0-26-4PK	0.164 - 0.056	60.84
PWG3.0-27-1PK	0.139 - 0.045	61.07	PWG3.0-27-2PK	0.140 - 0.046	60.09	PWG3.0-27-3PK	0.142 - 0.046	63.53	PWG3.0-27-4PK	0.164 - 0.056	65.12
PWG3.0-28-1PK	0.139 - 0.045	65.21	PWG3.0-28-2PK	0.140 - 0.046	64.15	PWG3.0-28-3PK	0.142 - 0.046	67.83	PWG3.0-28-4PK	0.164 - 0.056	69.53
PWG3.0-29-1PK	0.139 - 0.045	70.06	PWG3.0-29-2PK	0.140 - 0.046	68.34	PWG3.0-29-3PK	0.142 - 0.046	72.25	PWG3.0-29-4PK	0.164 - 0.056	75.54
PWG3.0-30-1PK	0.139 - 0.045	74.47	PWG3.0-30-2PK	0.140 - 0.046	72.64	PWG3.0-30-3PK	0.142 - 0.046	76.80	PWG3.0-30-4PK	0.164 - 0.056	80.29
PWG3.0-32-1PK	0.139 - 0.045	83.64	PWG3.0-32-2PK	0.140 - 0.046	81.58	PWG3.0-32-3PK	0.142 - 0.046	87.89	PWG3.0-32-4PK	0.164 - 0.056	90.19
PWG3.0-35-1PK	0.139 - 0.045	98.29	PWG3.0-35-2PK	0.140 - 0.046	95.86	PWG3.0-35-3PK	0.142 - 0.046	103.27	PWG3.0-35-4PK	0.164 - 0.056	108.05
PWG3.0-38-1PK	0.139 - 0.045	117.90	PWG3.0-38-2PK	0.140 - 0.046	113.22	PWG3.0-38-3PK	0.142 - 0.046	119.75	PWG3.0-38-4PK	0.164 - 0.056	125.29
PWG3.0-40-1PK	0.139 - 0.045	129.30	PWG3.0-40-2PK	0.140 - 0.046	124.17	PWG3.0-40-3PK	0.142 - 0.046	131.33	PWG3.0-40-4PK	0.164 - 0.056	137.41